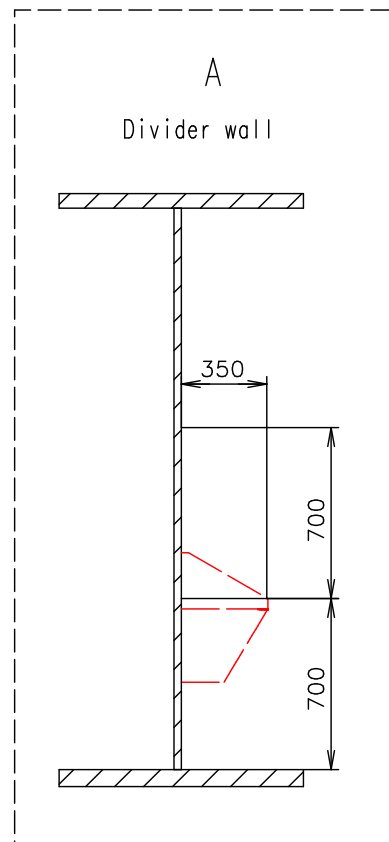
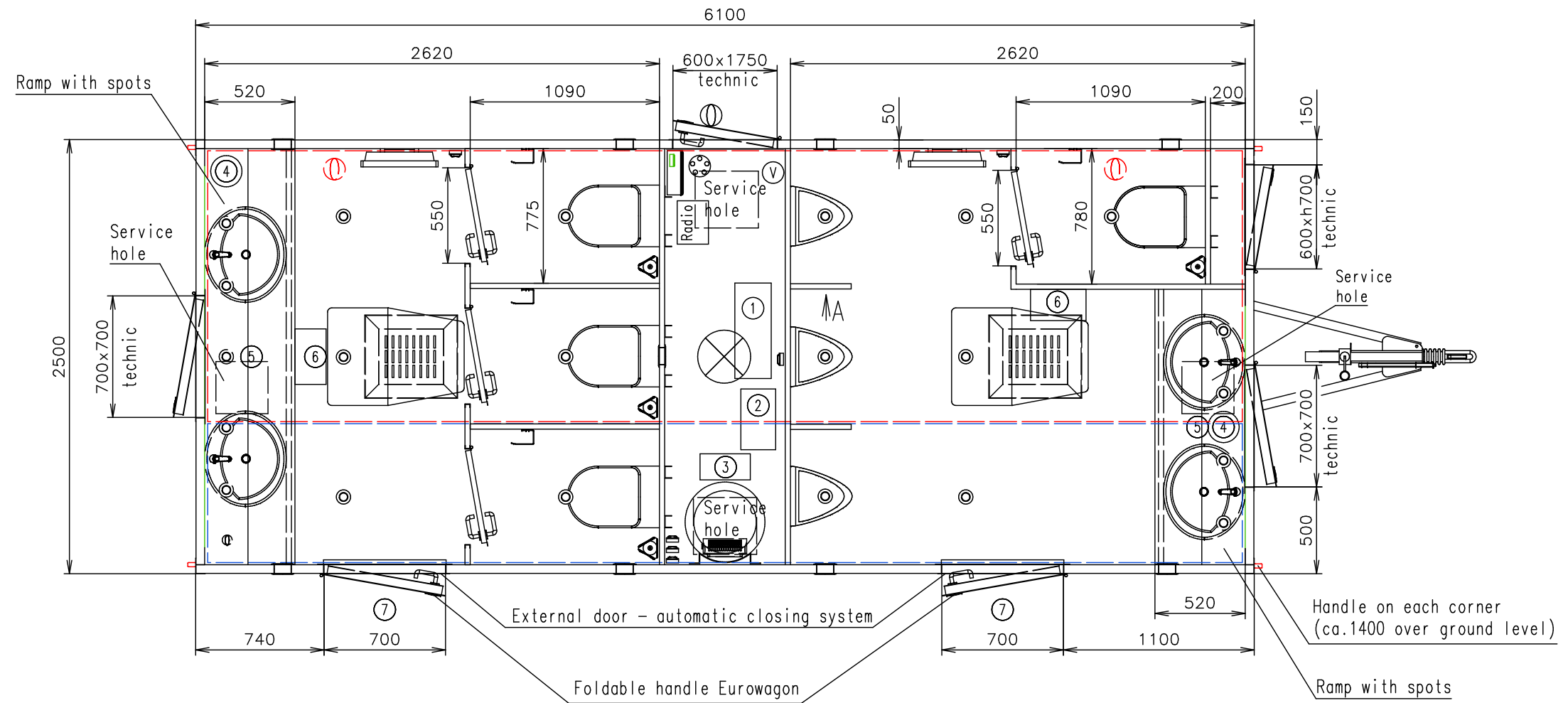


Connection hoses and cables	
Water hose:	✓
Waste water hose:	✗
Electric cable:	✓



Interior doors + divider walls in decor 0599 SG Orca

Notes: Working desks in waterproof compact desk Egger (dark color)

Interior height:	2100 mm	Total weight:	3500 kg
Color:	RAL 9010	Tare weight-estimate:	2600 kg
Floor:	PVC Jupiter 148708	Centre of wheels from rear side:	2990 mm
Date:	13.8.2019	Wheels:	195/50 R13C

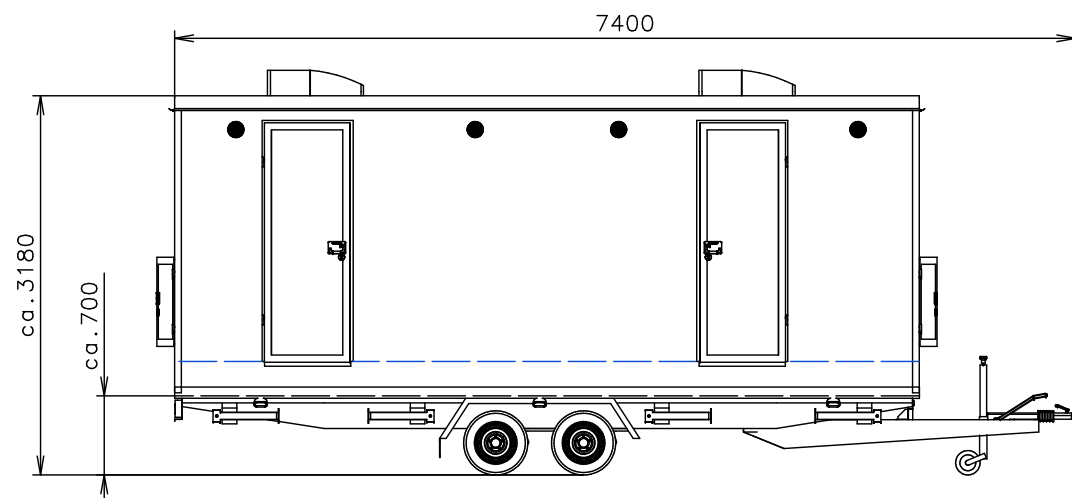
EUROWAGON

Drawing number:
3188-61-1_1/2

(Cabling and piping is not shown on the 3D views and drawings)

Connection hoses and cables	
Water hose:	✓
Waste water hose:	✗
Electric cable:	✓

- Ⓥ Water connection 3/4" (through the wall)
- Ⓢ Electric connection (through the wall) (400V-16A)
- Ⓢ Effluent connection 2,5" (under floor from tank) or 1" (directly from Jets pump, through wall)
- Ⓢ Power point
- Ⓢ Light switch
- Ⓢ Switch board (1200 over floor)
- Ⓢ Sensorlight
- Ⓢ Spot light
- Ⓢ Roof A/C+heating (Dometic Freshjet 2200)
- Ⓢ Heating (500W)
- Ⓢ Heating (750W)
- Ⓢ Wash-basin (built-in) Multi 1690 (550x470) + sensor water tap (mixed water)
- Ⓢ Vacuum toilet Jets
- Ⓢ Urinal - Uridan (waterless)
- Ⓢ Waste-water tank (on the floor) (15960 x w1560 x h250 = 2000l) + float senser + indicator
- Ⓢ Water tank (on the floor) (15960 x w800 x h250 = 1000l) + float senser + indicator
- Ⓢ Hot water boiler (50 l) + mixing water
- Ⓢ Ventilation ø120
- Ⓢ Brush toilet
- Ⓢ Toilet paper holder
- Ⓢ Mirror (2200x850 and 1400x850) + frame around
- ① Vacuumator Jets 15MB
- ② Gray water tank Jets 12l
- ③ Water pump Grundfos hydrojet JP5 (230V)
- ④ Speaker - in the ramp
- ⑤ Rubish bin
- ⑥ Hand dryer Jofel Jet Tyfon black
- ⑦ VIP stairs (w700) + handrail



Interior doors + divider walls in decor 0599 SG Orca

Notes: Working desks in waterproof compact desk Egger (dark color)

Interior height:	2100 mm	Total weight:	3500 kg
Color:	RAL 9010	Tare weight-estimate:	2600 kg
Floor:	PVC Jupiter 148708	Centre of wheels from rear side:	2990 mm
Date:	13.8.2019	Wheels:	195/50 R13C

EUROWAGON

Drawing number:
3188-61-1_2/2

(Cabling and piping is not shown on the 3D views and drawings)