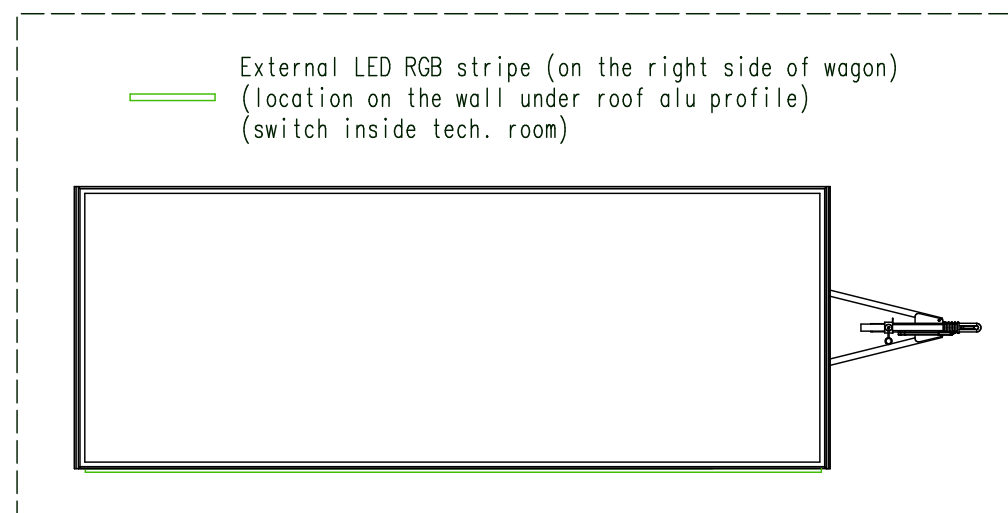
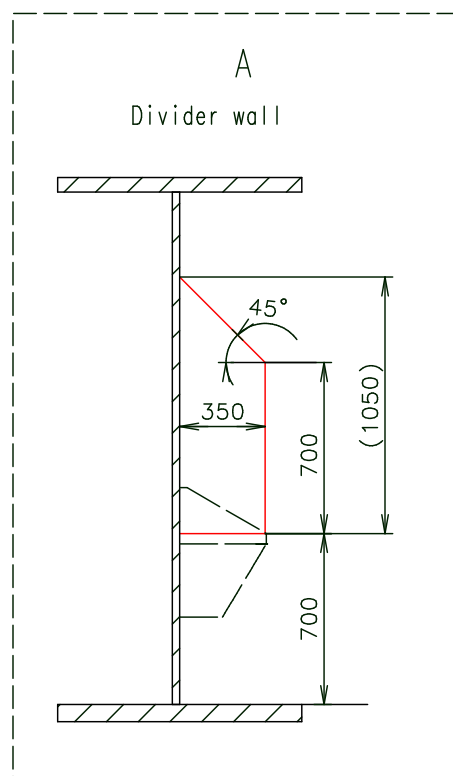
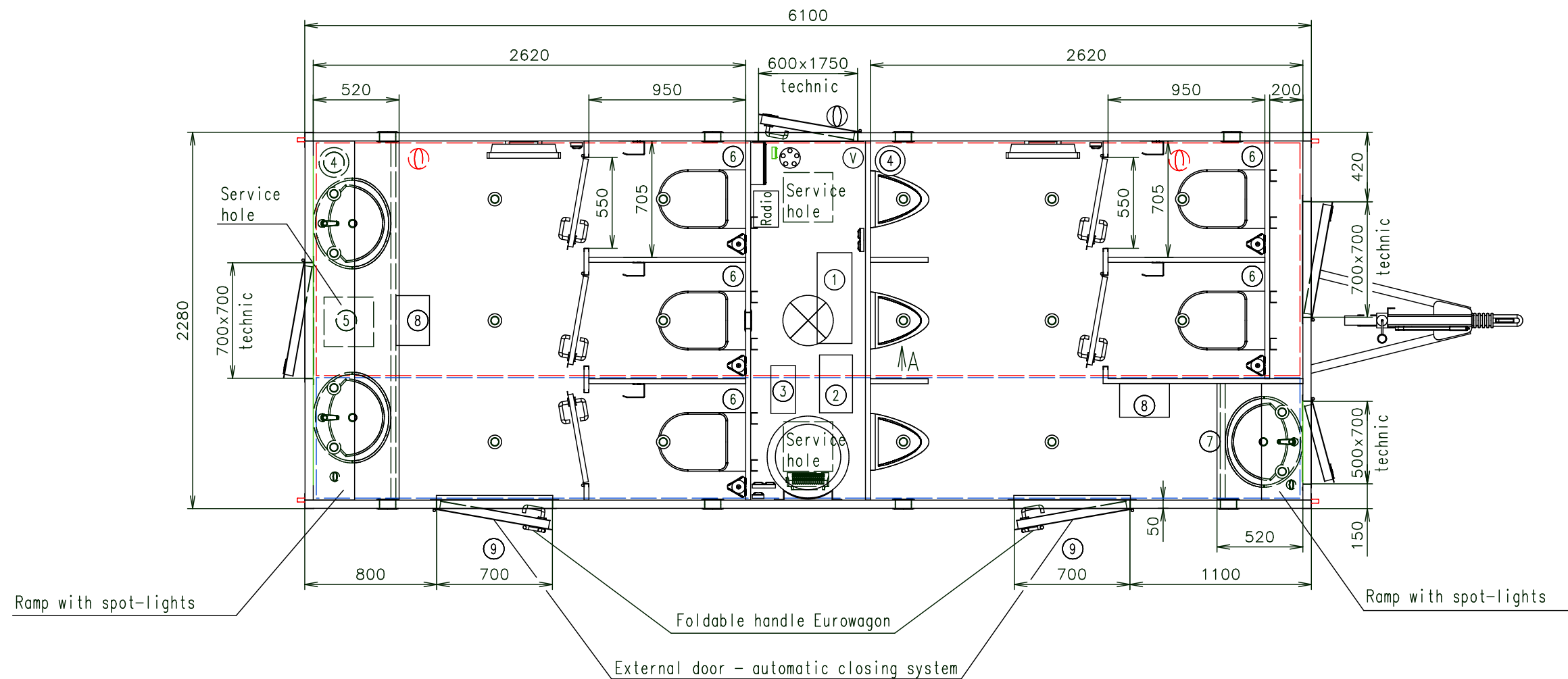


Connection hoses and cables	
Water hose:	✓
Waste water hose:	✗
Electric cable:	✓ 2x



Electric connection - customer accept risk of lack of electricity

Chassis covered by plastic/cloth skirt - white color

Folio on doors (from outside and from inside) - lady/man Water taps from DK

Working desks in waterproof compact desk Egger (dark color)

Waste water from vacuum pump either to tank or directly out through wall under technic door

Notes:

Interior height:	2100 mm	Total weight:	3500 kg
Color:	RAL 9010	Tare weight-estimate:	2500 kg
Floor:	PVC Jupiter 142704	Centre of wheels from rear side:	2990 mm
Date:	17.4.2019	Wheels:	195/50 R13C

**EUROWAGON**

Drawing number:

3271-61-3\_1/2

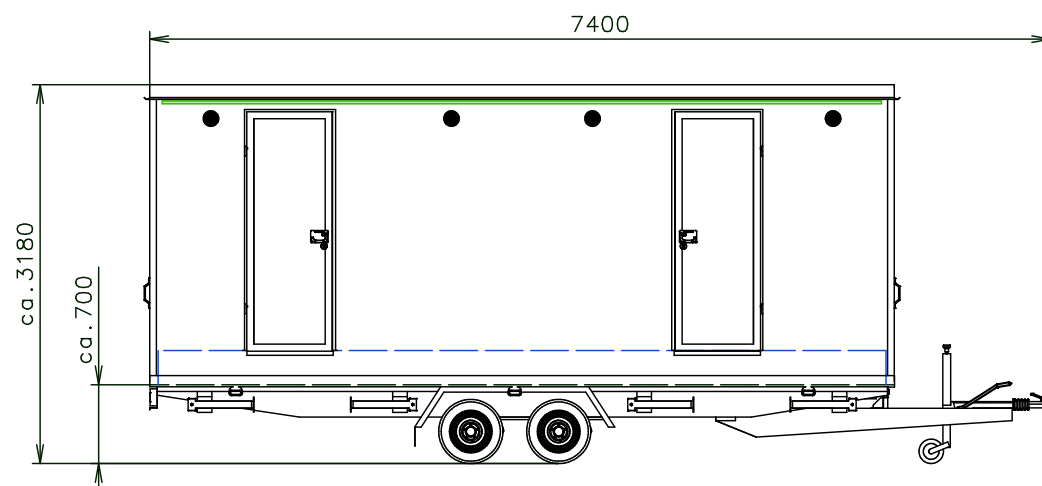
(Cabling and piping is not shown on the 3D views and drawings)

Connection hoses and cables	
Water hose:	✓
Waste water hose:	✗
Electric cable:	✓ 2x

- Ⓥ Water connection 3/4" (through the wall) + filter
- Ⓧ Electric connection (through the wall) (2x 230V-16A)
- Ⓛ 1. Boiler + heaters
- Ⓛ 2. Rest of wagon
- ! Customer accept risk of lack of electricity !
- Ⓛ Ⓛ Effluent connection 2,5" (under floor from tank) or 1" (directly from Jets pump, through wall)
- Ⓛ Power point
- Ⓛ Light switch
- Ⓛ Switch board (1200 over floor)
- Ⓛ LED sensorlight
- Ⓛ LED spotlight
- Ⓛ Heating (500W)
- Ⓛ Heating (750W)
- Ⓛ External LED RGB stripe

- Ⓛ Wash-basin (built-in) Multi 1690 (550x470) + sensor water tap DK (mixed and cold water)
- Ⓛ Vacuum toilet Jets
- Ⓛ Urinal - Uridan (waterless)
- Ⓛ Waste-water tank (on the floor) (15960 x w1410 x h250 = 1800l) + float sensor + indicator
- Ⓛ Water tank (on the floor) (15960 x w730 x h250 = 900l) + float sensor + indicator
- Ⓛ Hot water boiler (50 l) + mixing water
- Ⓛ Ventilation ø120
- Ⓛ Brush toilet
- Ⓛ Toilet paper holder
- Ⓛ Mirror (2000x770 and 500x770) + black frame around

- ① Vacuumator Jets 15MB
- ② Gray water tank Jets 12l
- ③ Water pump Grundfos hydrojet JP5 (230V)
- ④ Speaker - in the ramp and roof
- ⑤ Rubish bin with sensor Helpmation MINI (GYT 6-2)
- ⑥ Stainless steel tube (vertically) for extra 3 toilet papers
- ⑦ Rubish bin - through wall of cupboard
- ⑧ Hand dryer - Thermex Jet Dryer 2 Premium - with hot air
- ⑨ VIP stairs (w 700) + 1x handrail



(Cabling and piping is not shown on the 3D views and drawings)

- Electric connection - customer accept risk of lack of electricity
- Chassis covered by plastic/cloth skirt - white color
- Folio on doors (from outside and from inside) - lady/man
- Water taps from DK
- Working desks in waterproof compact desk Egger (dark color)
- Waste water from vacuum pump either to tank or directly out through wall under technic door

Notes:

Interior height:	2100 mm	Total weight:	3500 kg
Color:	RAL 9010	Tare weight-estimate:	2500 kg
Floor:	PVC Jupiter 142704	Centre of wheels from rear side:	2990 mm
Date:	17.4.2019	Wheels:	195/50 R13C

**EUROWAGON**

Drawing number:

3271-61-3\_2/2