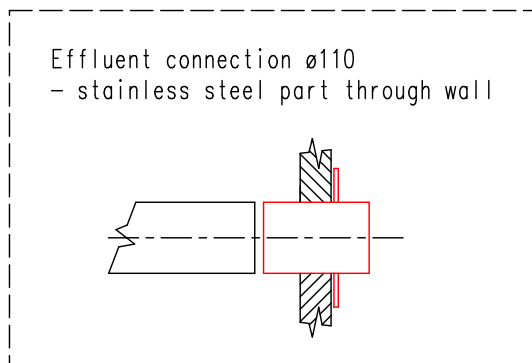
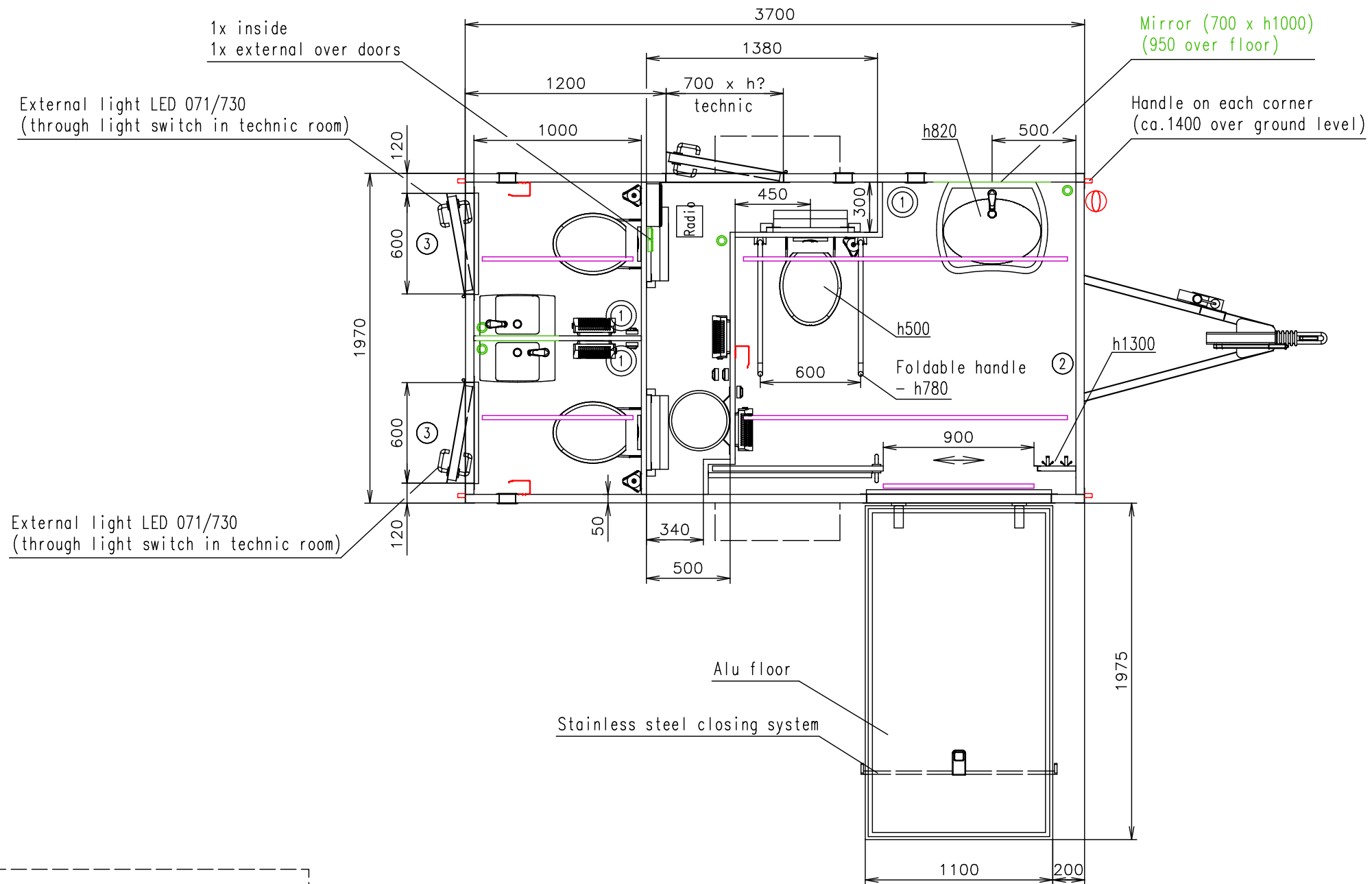


Connection hoses and cables	
Water hose:	✓
Waste water hose:	✗
Electric cable:	✓



Chassis - hydraulic axles		Chassis - mudguards?	
Notes: External doors - without cylinders		Spare wheel - free loaded	
		Without COC	
Interior height:	2100 mm	Total weight:	1500 kg
Color:	RAL 7042	Tare weight-estimate:	1200 kg
Floor:	PVC Java 105	Centre of wheels from rear side:	1870 mm
Date:	8.11.2019	Wheels:	195/50 R13C

EUROWAGON

Drawing number:
3421-37-1_1/2 (Sprenger)

(Cabling and piping is not shown on the 3D views and drawings)

Connection hoses and cables	
Water hose:	✓
Waste water hose:	✗
Electric cable:	✓

Ⓥ Water connection 3/4" (through the floor) + filter + reduction valve

Ⓢ Electric connection (through the floor) (230V-16A)

Ⓣ Effluent connection ø110 (through wall) - stainless steel part

Ⓜ Power point

Ⓛ Light switch

Ⓜ Switch board (1200 over floor)

— LED stripe

Ⓜ Heating (500W)

Ⓢ Floor drain hole

Ⓜ Wash-basin Kolo (650x560)(68465)(for disabled) + standart water tap

Ⓜ Wash-basin Kolo (450x250) + standard water tap

Ⓜ Hanging toilet (toilet seat - steel holders)

Ⓜ Hot water boiler Slim (30 l)

Ⓜ Ventilation ø120

Ⓜ Brush toilet

Ⓜ Special toilet paper holder

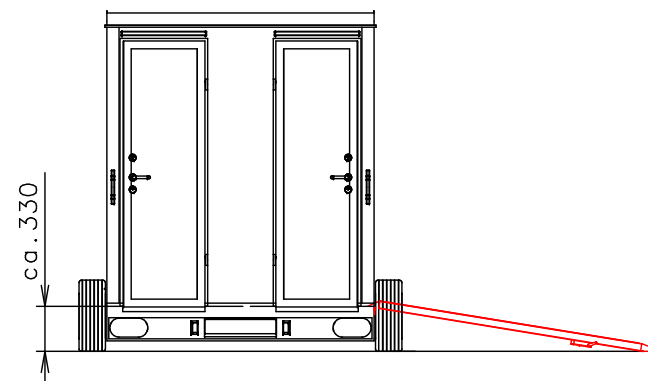
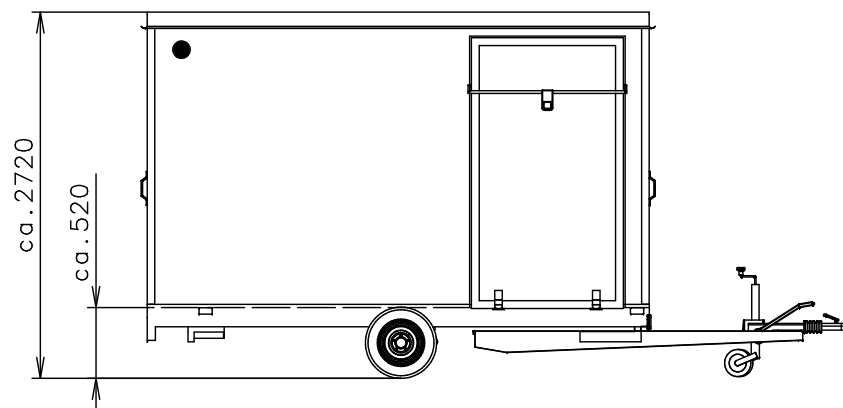
Ⓜ Clothes hanger

— Mirror (500x500) + black frame around

① Speaker

② Foldable changing table for baby

③ Foldable stairs Serena (one foldable step)



(Cabling and piping is not shown on the 3D views and drawings)

Notes: Chassis - hydraulic axles Chassis - mudguards? External doors - without cylinders Spare wheel - free loaded Without COC

Interior height:	2100 mm	Total weight:	1500 kg
Color:	RAL 7042	Tare weight-estimate:	1200 kg
Floor:	PVC Java 105	Centre of wheels from rear side:	1870 mm
Date:	8.11.2019	Wheels:	195/50 R13C

EUROWAGON

Drawing number:
3421-37-1_2/2 (Sprenger)