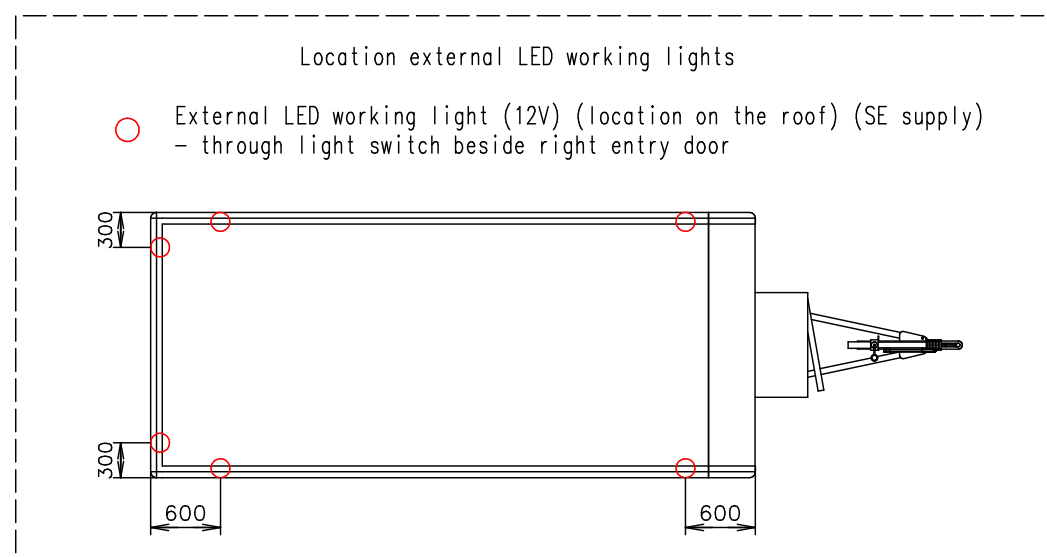
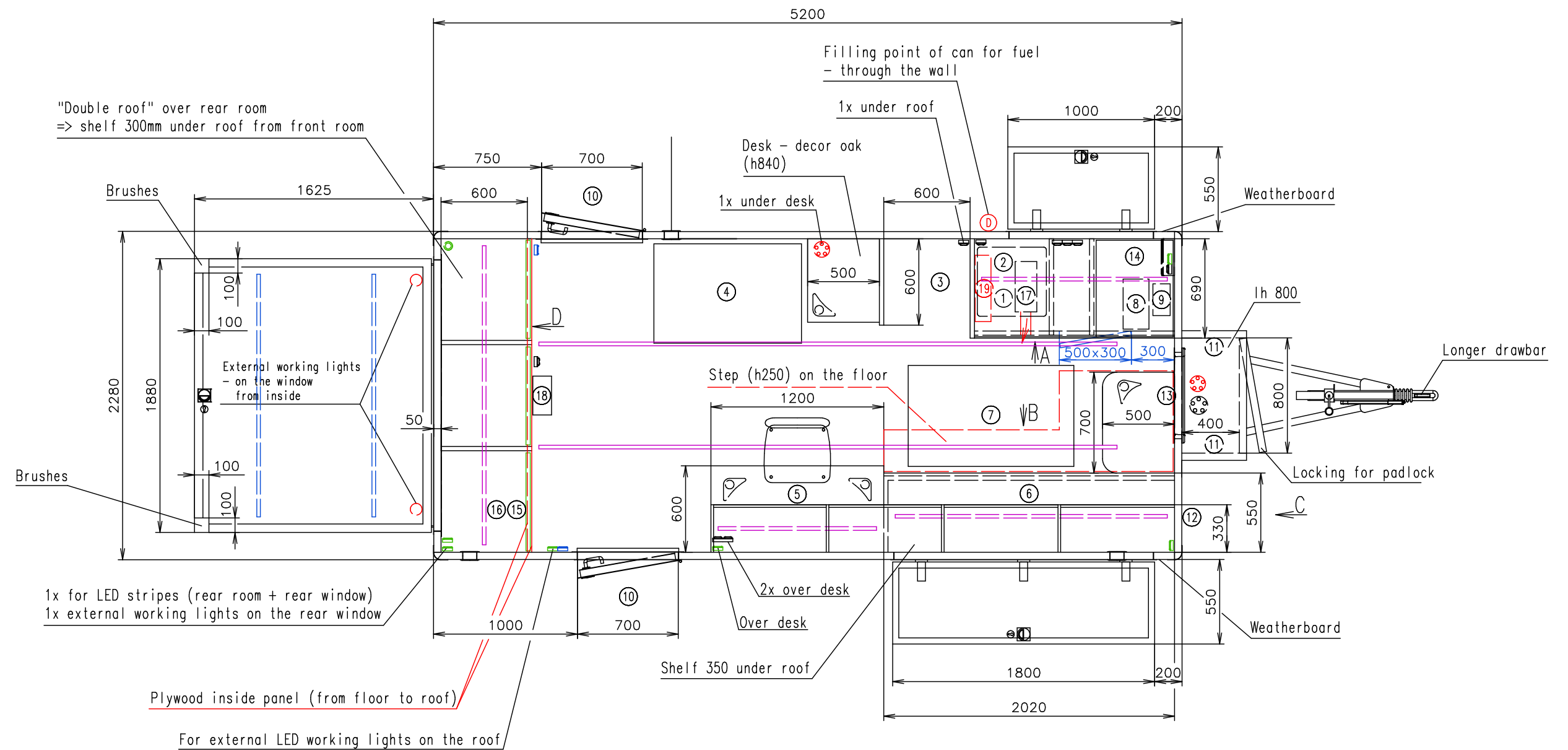


Connection hoses and cables	
Water hose:	✗
Waste water hose:	✗
Electric cable:	✓



(Cabling and piping is not shown on the 3D views and drawings)

Ladder (length - 4m) - storage under floor behind registration plate

Tool hanger - SE supply - location?

Doors and flaps - cylinders - SE supply

Without COC Reverse camera (12V) (above rear window) (SE supply)

4x reverse light on the chassis - behind rear end of mudguard (on each side) and 1000mm from front (on each side) (SE supply)

Battery for LED stripes, working lights, reverse camera and heater Eberspächer

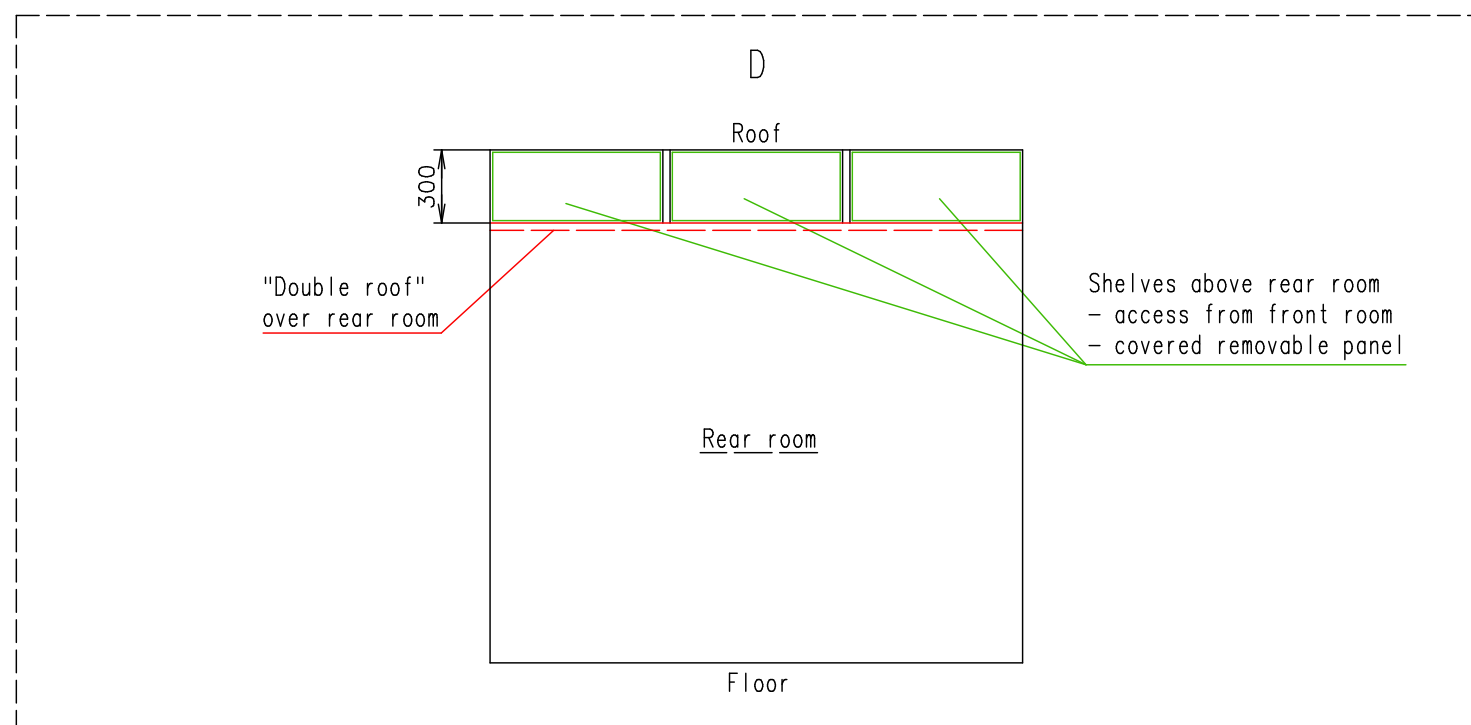
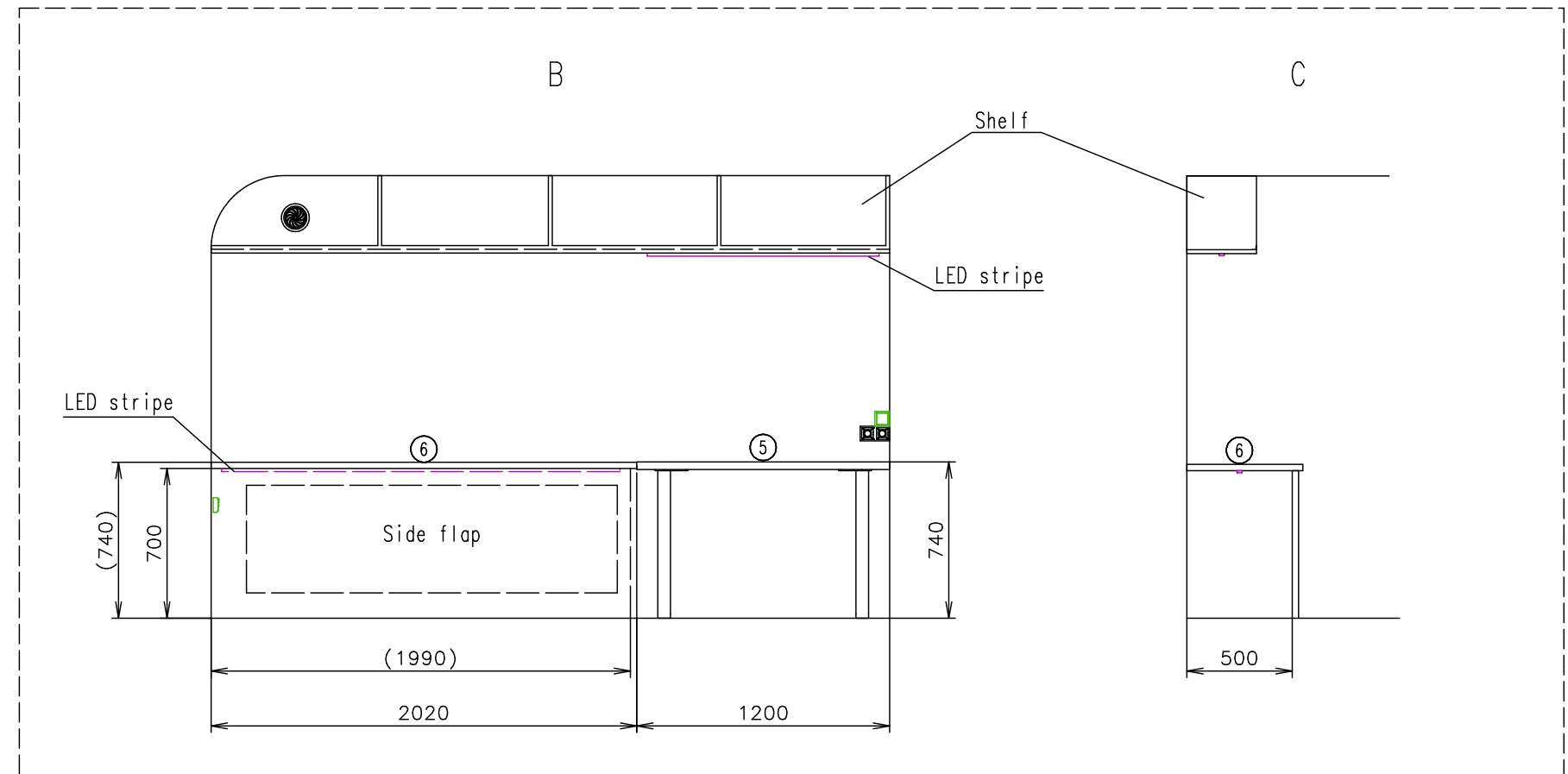
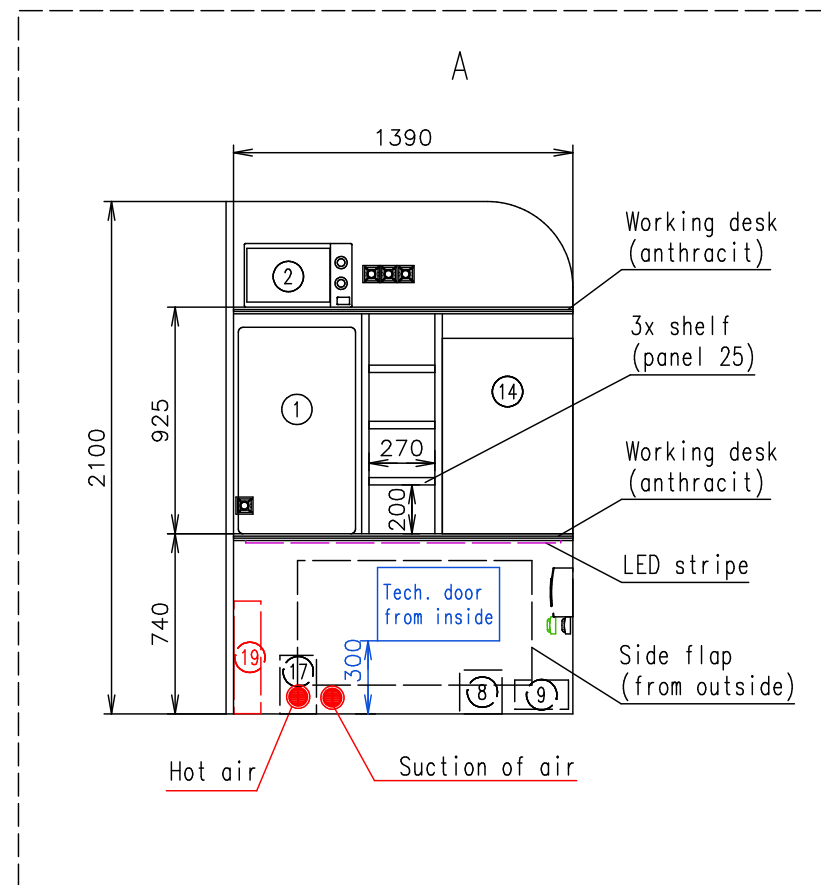
Notes: Folio - 1080-G227 Gloss Blue Metallic External LED working lights (sketch)

Interior height:	2100 mm	Total weight:	3500 kg
Color:	RAL 9010 + folio	Tare weight-estimate:	1800 kg
Floor:	PVC gray	Centre of wheels from rear side:	2540 mm
Date:	6.5.2019	Wheels:	195/50 R13C

EUROWAGON

Drawing number:
2246-52-3_1/3 (WestBay)

Connection hoses and cables	
Water hose:	✗
Waste water hose:	✗
Electric cable:	✓



Ladder (length - 4m) - storage under floor behind registration plate

Tool hanger - SE supply - location?

Doors and flaps - cylinders - SE supply

Without COC Reverse camera (12V) (above rear window) (SE supply)

4x reverse light on the chassis - behind rear end of mudguard (on each side) and 1000mm from front (on each side) (SE supply)

Battery for LED stripes, working lights, reverse camera and heater Eberspächer

Notes: Folio - 1080-G227 Gloss Blue Metallic External LED working lights (sketch)

Interior height:	2100 mm	Total weight:	3500 kg
Color:	RAL 9010 + folio	Tare weight-estimate:	1800 kg
Floor:	PVC gray	Centre of wheels from rear side:	2540 mm
Date:	6.5.2019	Wheels:	195/50 R13C

EUROWAGON

Drawing number:
2246-52-3_2/3 (WestBay)

(Cabling and piping is not shown on the 3D views and drawings)

Connection hoses and cables	
Water hose:	✗
Waste water hose:	✗
Electric cable:	✓

⊗ Electric connection (through the floor) (400V-32A)
+ 3x green light in technical room – for each phase
– shown that is connected

⊗ Power point 400V-16A

⊖ Power point

⊖ Double power point

— Light switch

— Light switch

⊖ Switch board (400 over floor)

— LED stripe

— External LED stripe

○ External LED working light (12V) (SE supply)

● Floor drain hole

⊖ Ventilation ø120

□ Chair

□ Bench (upholstered) (h720)

□ Shelf

① Fridge

② Microwave

③ Drying cabinet – SE supply

④ Place for compressor (L1025, W690, H840)

⑤ Working desk permanent fixed (decor – oak) (1200x600)

⑥ Bench (upholstered) (dismountable top)

⑦ Desk – SE supply

⑧ Battery Banner Energy Bull 110Ah (12V)

⑨ Charger Multi XS 10A

⑩ Standard free standing stairs

⑪ Holder for el. cable (on the wall)

⑫ Spare wheel on front wall + black PVC cover

⑬ Window – fix (600 x 600) (950 over floor)

⑭ Cupboard with drawers (w535 x d670 x h800) – SE supply

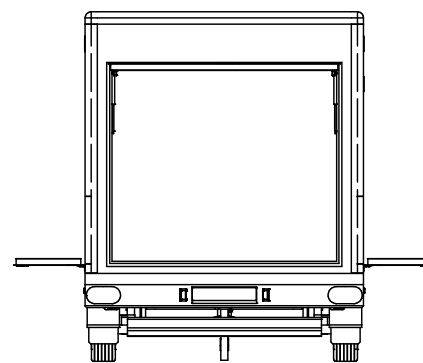
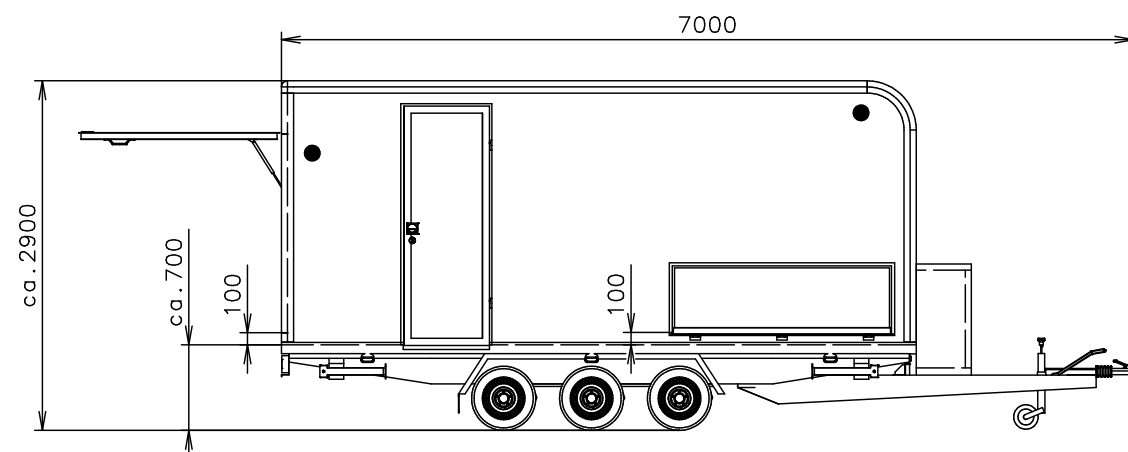
⑮ El. cable reel 400V-16A – on the wall

⑯ El. cable reel 230V – on the wall

⑰ Heater Eberspächer (on the floor)
(thermostat + display – close to fridge/drawer unit)

⑱ Heating Stiebel Eltron CK 20 TREND (2000W)

⑲ Can for fuel (20l) + filling point through wall



Ladder (length – 4m) – storage under floor behind registration plate

Tool hanger – SE supply – location?

Doors and flaps – cylinders – SE supply

Without COC Reverse camera (12V) (above rear window) (SE supply)

4x reverse light on the chassis – behind rear end of mudguard (on each side) and 1000mm from front (on each side) (SE supply)

Battery for LED stripes, working lights, reverse camera and heater Eberspächer

Notes: Folio – 1080-G227 Gloss Blue Metallic External LED working lights (sketch)

Interior height:	2100 mm	Total weight:	3500 kg
Color:	RAL 9010 + folio	Tare weight-estimate:	1800 kg
Floor:	PVC gray	Centre of wheels from rear side:	2540 mm
Date:	6.5.2019	Wheels:	195/50 R13C

EUROWAGON

Drawing number:
2246-52-3_3/3 (WestBay)

(Cabling and piping is not shown on the 3D views and drawings)