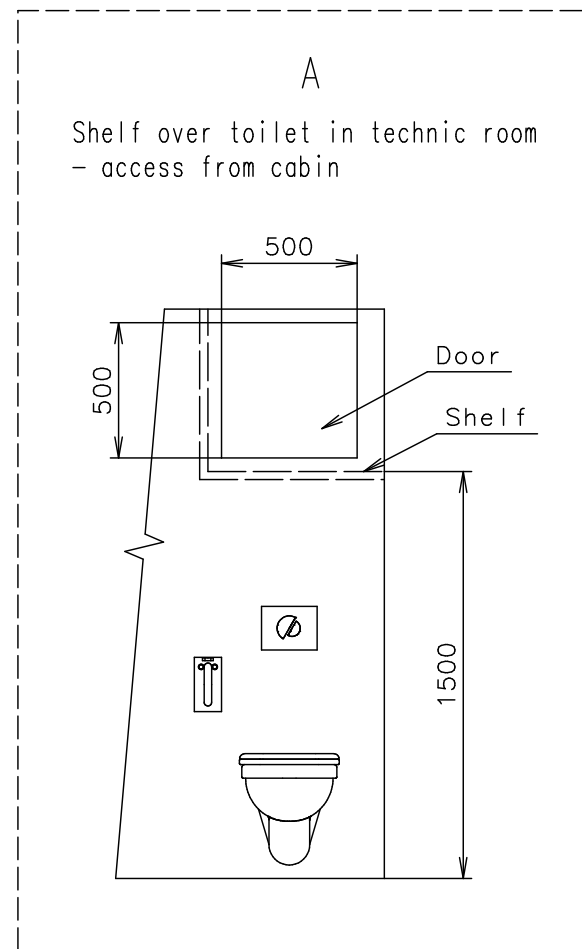
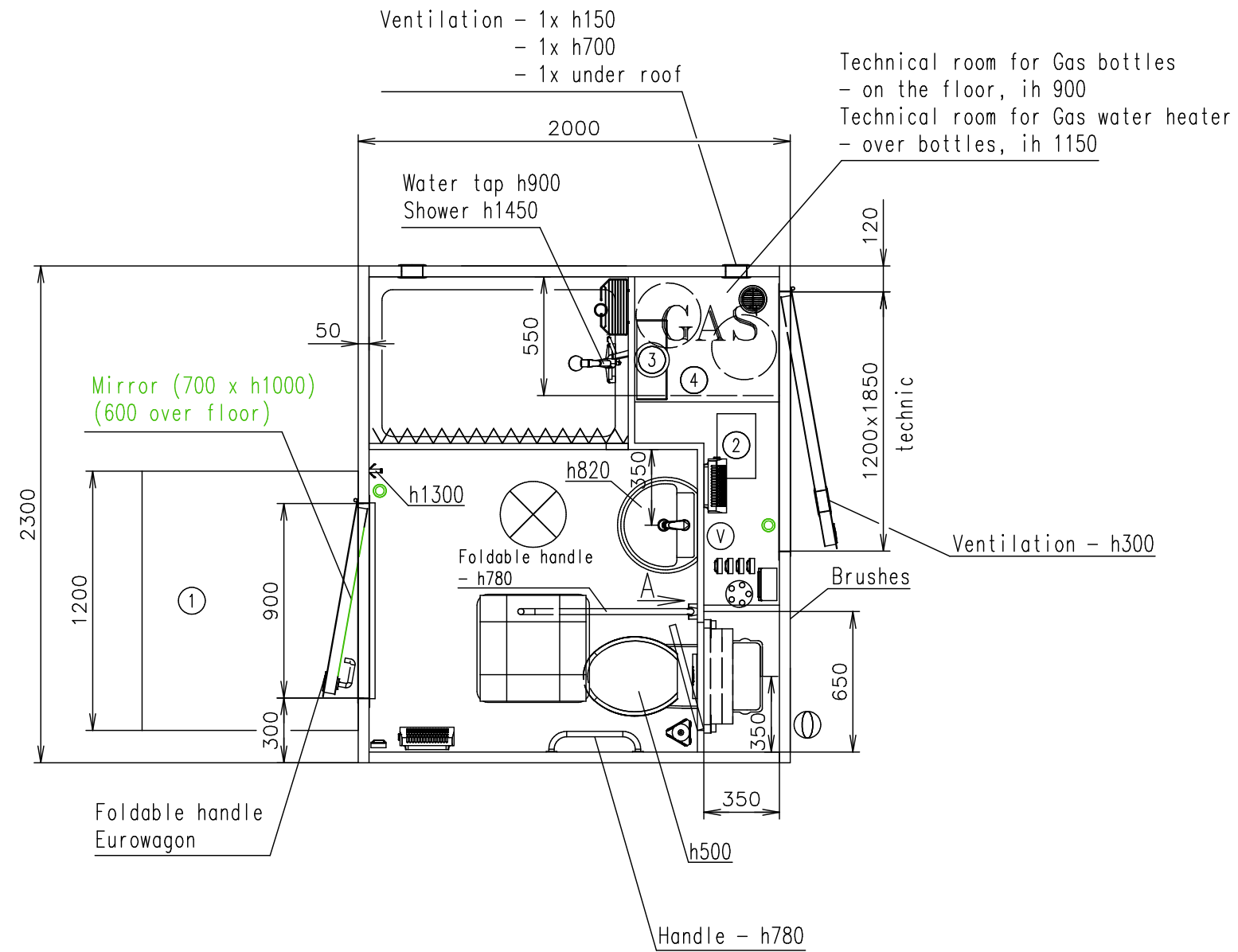


Connection hoses and cables	
Water hose:	✓
Waste water hose:	✓
Electric cable:	✓



(Cabling and piping is not shown on the 3D views and drawings)

Notes: Roof alu profiles - L-profile

Without paper holders

Interior height:	2100 mm	Total weight:	-
Color:	RAL 9010	Tare weight-estimate:	-
Floor:	PVC Jupiter 148708	Centre of wheels from rear side:	-
Date:	7.6.2019	Wheels:	-

**EUROWAGON**

Drawing number:  
3301-23-2 EWK\_1/2 (Oppermann)

Connection hoses and cables	
Water hose:	✓
Waste water hose:	✓
Electric cable:	✓

Ⓥ Water connection 3/4" (through the wall)

Ⓢ Electric connection (through the wall) (230V-16A)

Ⓣ Effluent connection 1" (through wall)

Ⓜ Power point

Ⓛ Switch board (1200 over floor)

Ⓧ LED sensorlight

Ⓜ Heating (500W)

Ⓛ Shower (1200x800) - flat

Ⓛ Wash-basin Kolo (450x370) + standard water tap

Ⓢ Floor drain hole

Ⓛ Hanging toilet + pump Setsan

Ⓛ Roof window Dometic (400x400)

Ⓛ Ventilation ø120

Ⓛ Shelf steel

Ⓛ Brush toilet

Ⓛ Clothes hanger

Ⓛ Shower curtain

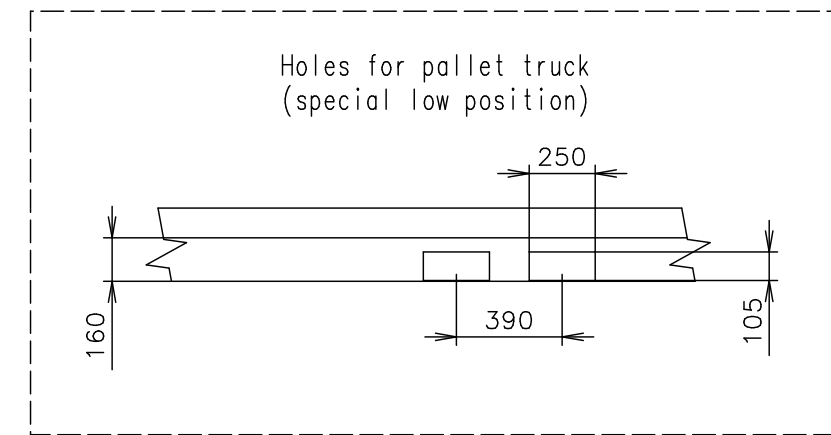
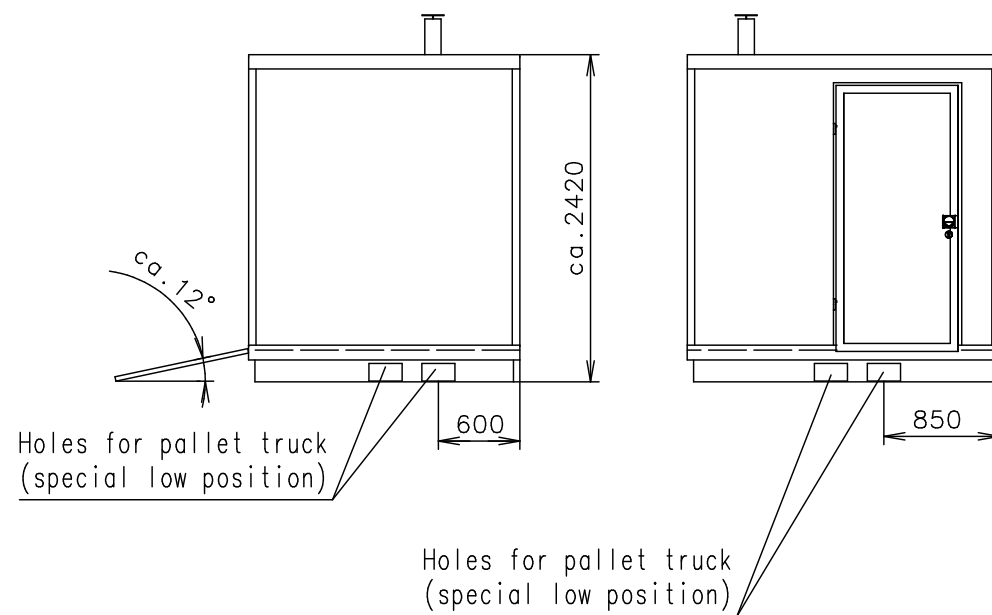
Ⓛ Mirror (700 x h1000) (600 over floor)

① Ramp (w1200 x l1000)

② Shower waste water pump Sanifloor 3 (from the pump to main waste water pump Setsan)

③ Gas water heater - Rinnai Infinity 17i

④ Gas regulator



Notes: Roof alu profiles - L-profile

Without paper holders

Interior height:	2100 mm	Total weight:	-
Color:	RAL 9010	Tare weight-estimate:	-
Floor:	PVC Jupiter 148708	Centre of wheels from rear side:	-
Date:	7.6.2019	Wheels:	-

**EUROWAGON**

Drawing number:  
3301-23-2 EWK\_2/2 (Oppermann)

(Cabling and piping is not shown on the 3D views and drawings)