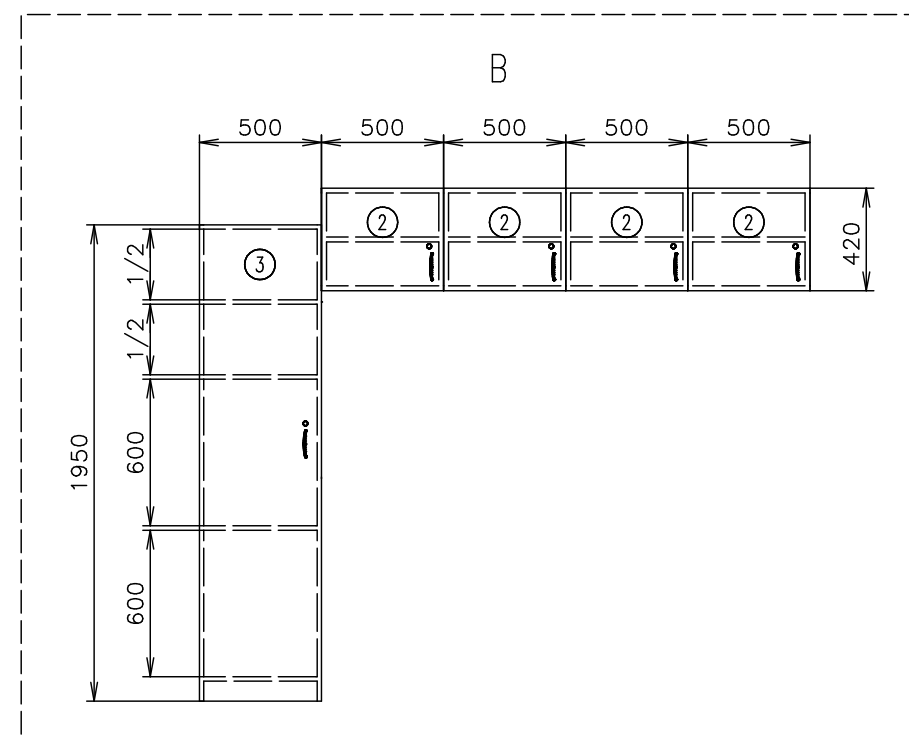
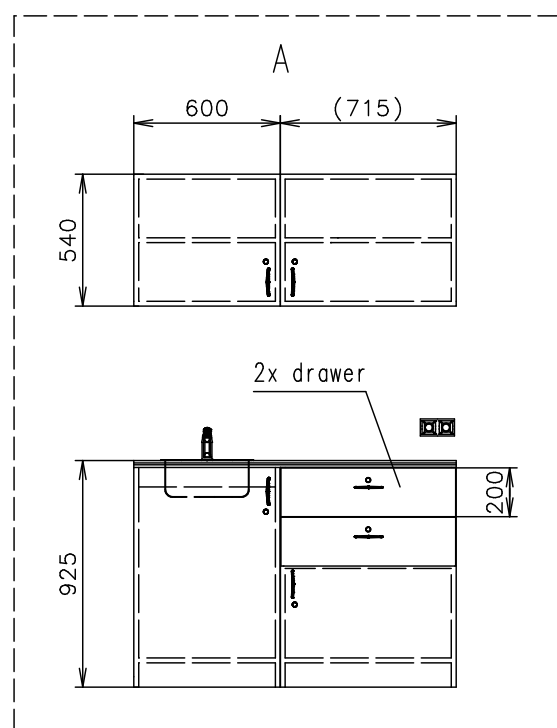
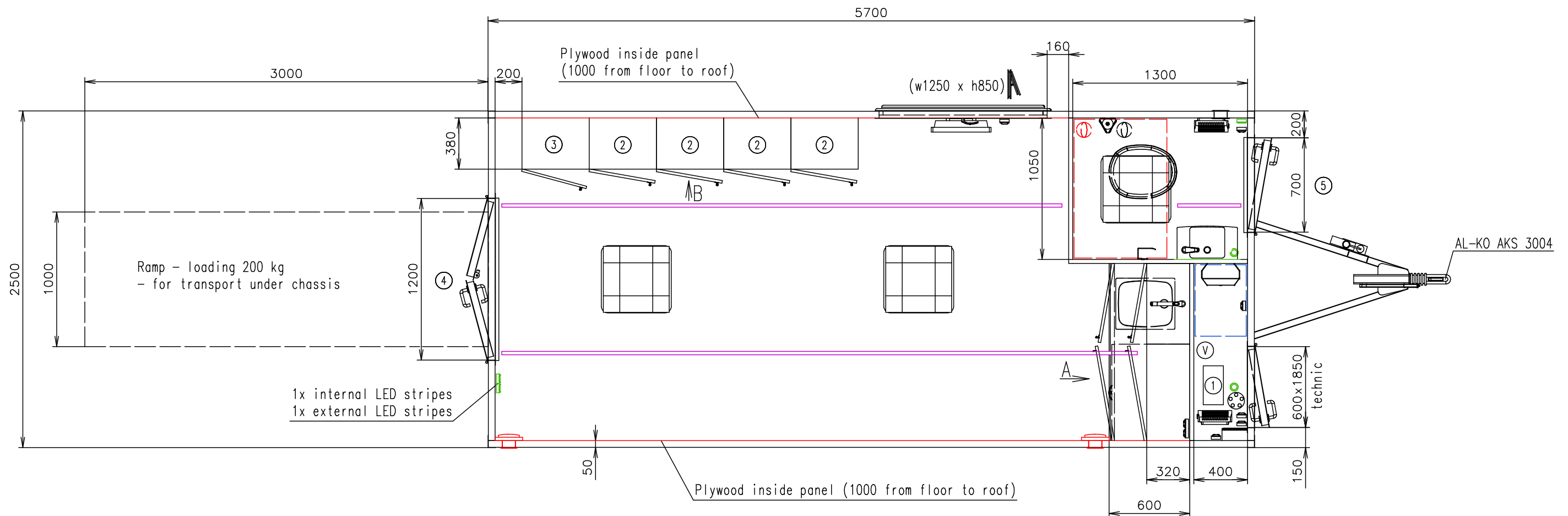


Connection hoses and cables	
Water hose:	✓
Waste water hose:	✗
Electric cable:	✓



(Cabling and piping is not shown on the 3D views and drawings)

Notes: External LED stripes - sketch

Interior height:	2100 mm	Total weight:	2600 kg
Color:	RAL 9010	Tare weight-estimate:	1700 kg
Floor:	PVC black	Centre of wheels from rear side:	2790 mm
Date:	2.11.2017	Wheels:	165 R13C

EUROWAGON

Drawing number:
2784-57-2_1/2

Connection hoses and cables	
Water hose:	✓
Waste water hose:	✗
Electric cable:	✓

Ⓧ Water connection 3/4" (through the floor)

Ⓞ Electric connection (through the floor) (230V-16A)

Ⓢ Effluent connection 2,5" from tank and ø40 from wash basin and sink

Ⓛ Power point

Ⓜ Light switch

Ⓝ Switch board (1200 over floor)

Ⓟ LED stripe

Ⓠ Heating (500W)

Ⓡ Heating (750W)

Ⓢ Electric ventilator 230V (with light)

Ⓣ Floor drain hole

Ⓤ Wash-basin Kolo (450x250) + standard water tap

Ⓡ Kitchen sink Alveus Basic 10 + standard water tap

Ⓢ Water toilet (Thetford) - low

Ⓣ Hot water boiler Wterm FHN (5l)

Ⓤ Waste-water tank (over floor) (11050 x w700 x h250 = 150l) + float sensor + indicator

Ⓤ Water tank (over floor) (1530 x w380 x h900 = 150l) + float sensor + indicator

Ⓡ Window opening out (870 over floor)

Ⓡ Roof window Dometic (400x400)

Ⓡ Ventilation ø120

Ⓡ Brush toilet

Ⓡ Toilet paper holder

Ⓡ Mirror (500x500)

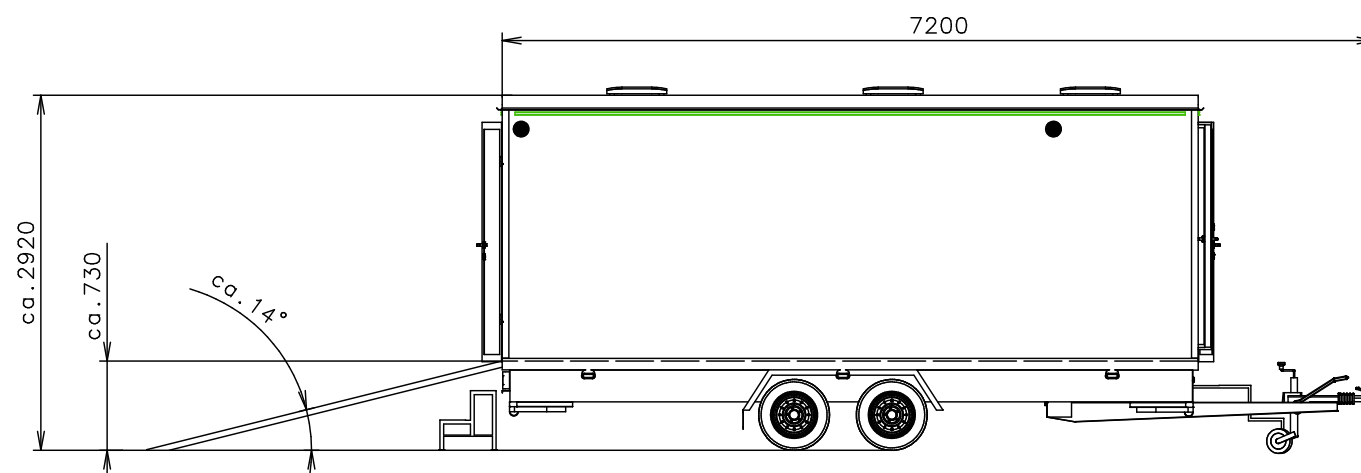
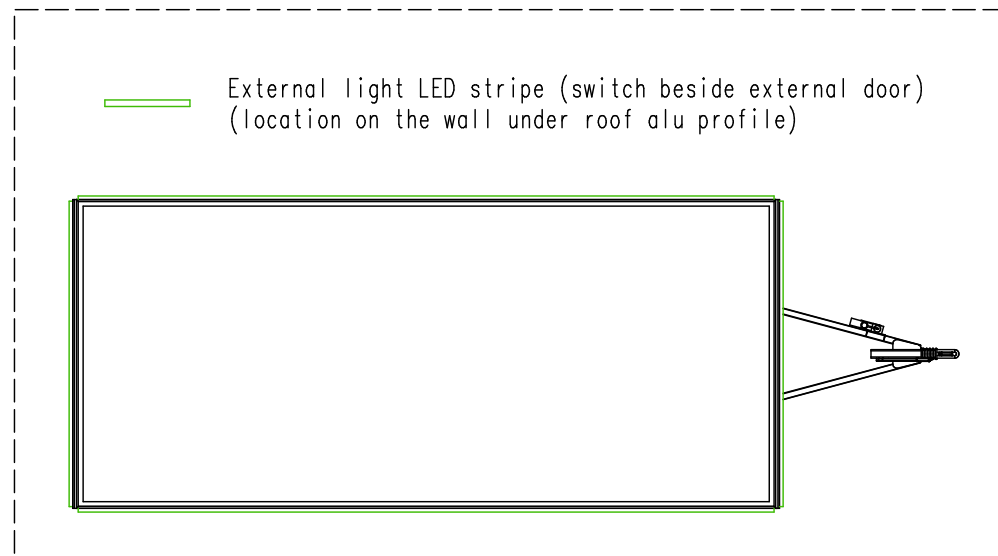
① Water pump Grundfos hydrojet JP5 (230V)

② Cupboard under roof (500 x 380 x 420) (sketch)

③ Cupboard (500 x 380 x 1950) (3x shelf) (sketch)

④ Standard free standing stairs

⑤ Standard hanging stairs - short



(Cabling and piping is not shown on the 3D views and drawings)

Notes: External LED stripes - sketch

Interior height:	2100 mm	Total weight:	2600 kg
Color:	RAL 9010	Tare weight-estimate:	1700 kg
Floor:	PVC black	Centre of wheels from rear side:	2790 mm
Date:	2.11.2017	Wheels:	165 R13C

EUROWAGON

Drawing number:

2784-57-2_2/2