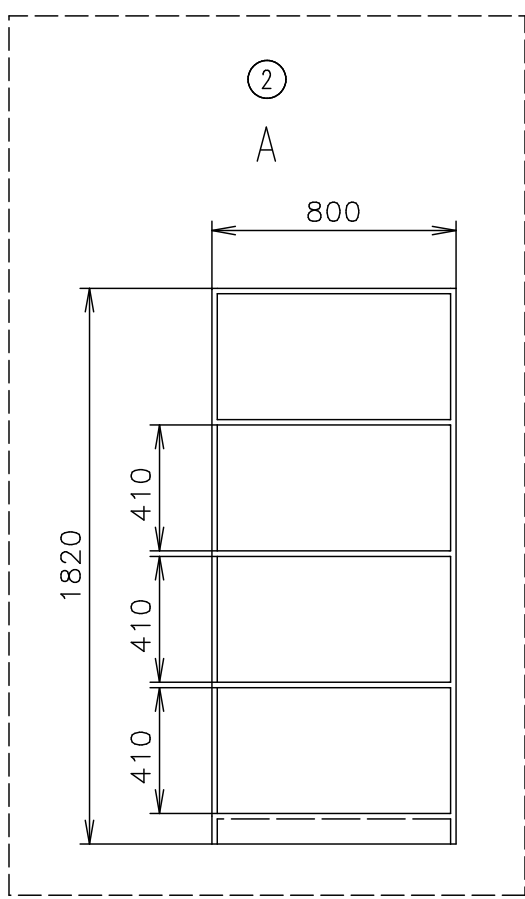
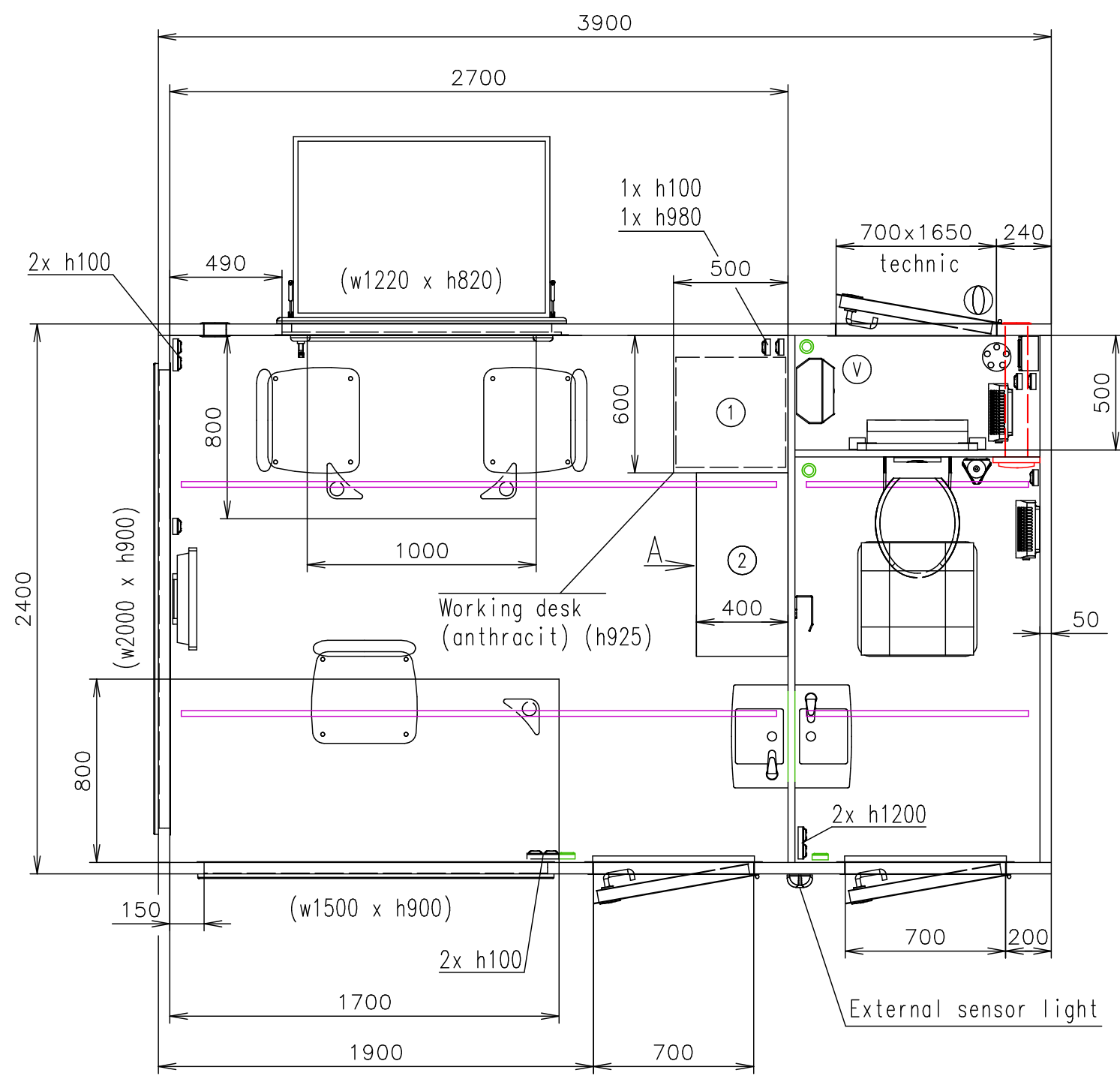


| Connection hoses and cables | |
|-----------------------------|---|
| Water hose: | ✓ |
| Waste water hose: | ✗ |
| Electric cable: | ✓ |



(Cabling and piping is not shown on the 3D views and drawings)

Notes:

| | | | |
|------------------|-----------------|----------------------------------|---|
| Interior height: | 2100 mm | Total weight: | - |
| Color: | RAL 7042 (gray) | Tare weight-estimate: | - |
| Floor: | PVC black | Centre of wheels from rear side: | - |
| Date: | 6.11.2017 | Wheels: | - |



Drawing number:
2762-39-2 EWK_1/2 (COPCO)

| Connection hoses and cables | |
|-----------------------------|---|
| Water hose: | ✓ |
| Waste water hose: | ✗ |
| Electric cable: | ✓ |

Ⓧ Water connection 3/4" (through the wall)

Ⓢ Electric connection (through the wall) (230V-16A)

Ⓣ Effluent connection ø110 (through wall)

Ⓛ Power point

Ⓛ Double power point

Ⓛ Light switch

Ⓛ Switch board (1200 over floor)

Ⓛ LED stripe

Ⓛ External sensor light

Ⓛ Heating (500W)

Ⓛ Heating (750W)

Ⓛ Electric ventilator 230V (with light)

Ⓛ Floor drain hole

Ⓛ Wash-basin Kolo (450x250) + standard water tap

Ⓛ Hanging toilet

Ⓛ Hot water boiler Wterm FHN (5l)

Ⓛ Fixed window (870 over floor)

Ⓛ Window opening inside (870 over floor) + shutter

Ⓛ Roof window Dometic (400x400)

Ⓛ Ventilation ø120

Ⓛ Chair

Ⓛ Desk permanent fixed

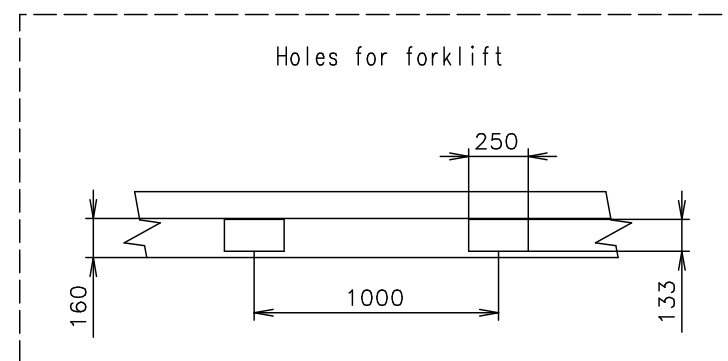
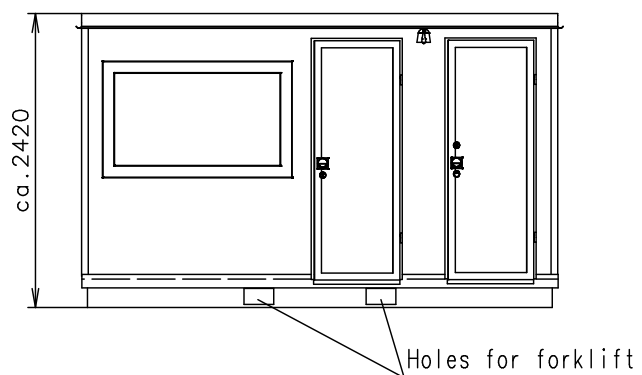
Ⓛ Brush toilet

Ⓛ Toilet paper holder

Ⓛ Mirror (400x400)

① Fridge

② Cupboard (800 x 400 x 1820) (3x shelf, without door)



(Cabling and piping is not shown on the 3D views and drawings)

Notes:

| | | | |
|------------------|-----------------|----------------------------------|---------------------------|
| Interior height: | 2100 mm | Total weight: | - |
| Color: | RAL 7042 (gray) | Tare weight-estimate: | - |
| Floor: | PVC black | Centre of wheels from rear side: | - |
| Date: | 6.11.2017 | Wheels: | - |
| | | Drawing number: | 2762-39-2 EWK_2/2 (COPCO) |