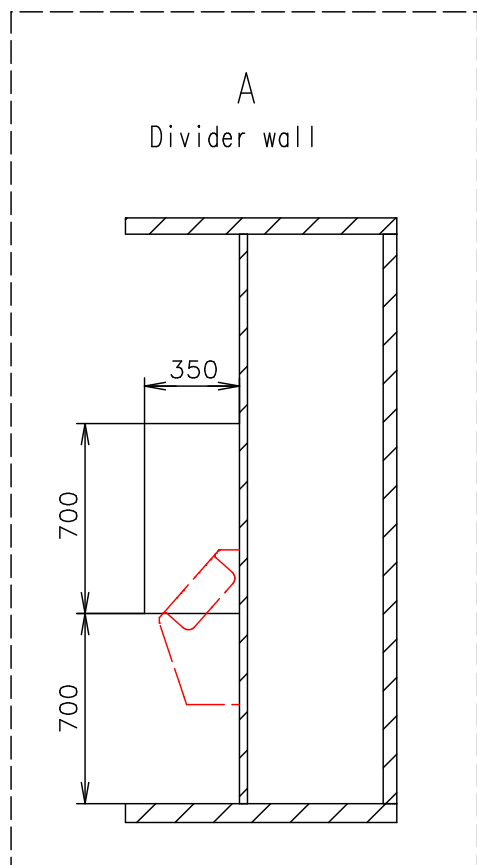
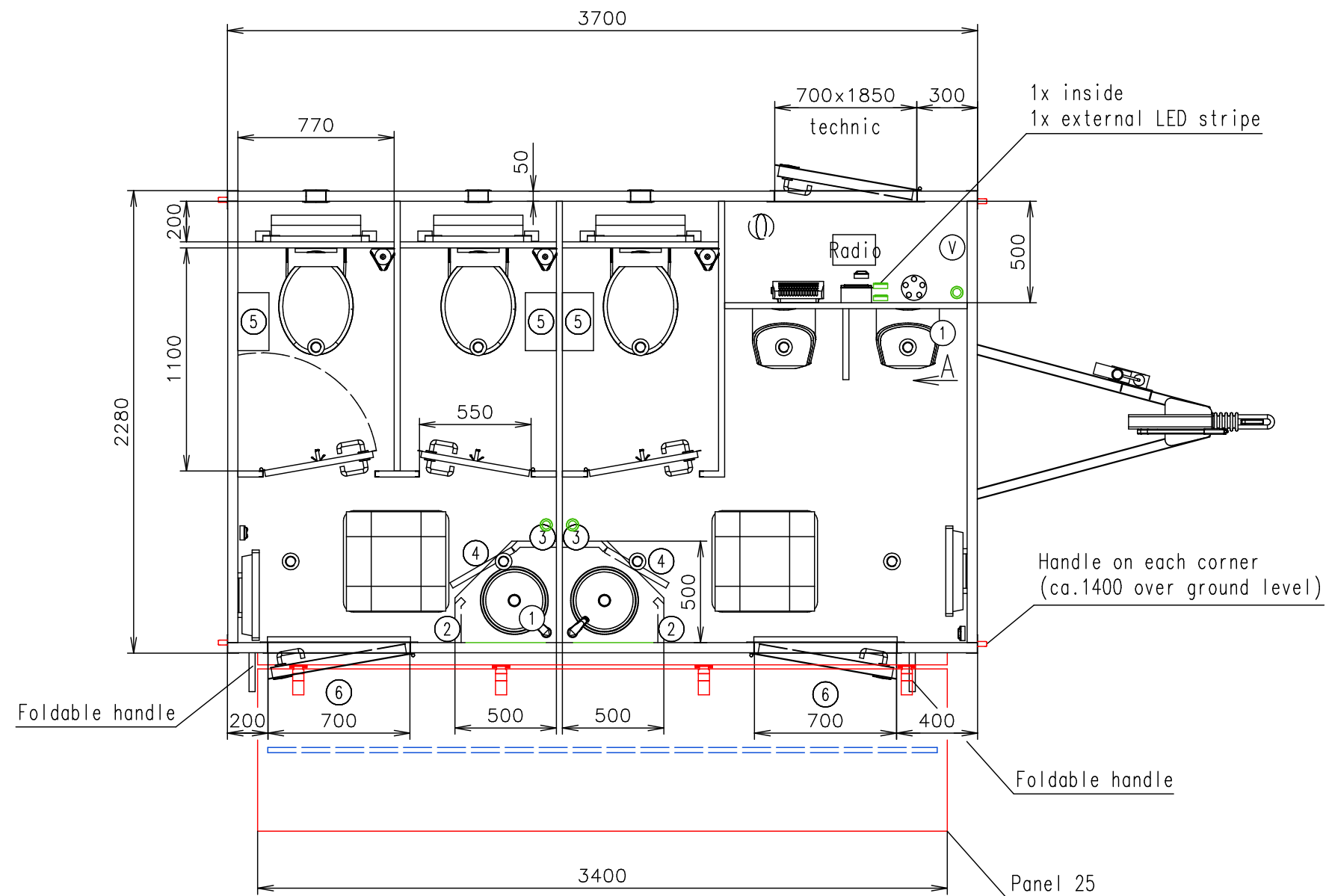


Connection hoses and cables	
Water hose:	✓
Waste water hose:	✗
Electric cable:	✓ Schuco



Water piping - inclined for discharging (won't be fully discharged)

Working desks in waterproof compact desk Egger (dark color)

RAL 9010 - interior walls
RAL 7042 - interior doors + divider wall + cupboards under sinks

100

Notes: Axle with suspension | Door stay - stainless steel

Interior height:	2100 mm	Total weight:	1300 kg
Color:	RAL 9010	Tare weight-estimate:	1200 kg
Floor:	PVC black	Centre of wheels from rear side:	1870 mm
Date:	19.10.2017	Wheels:	165 R13C

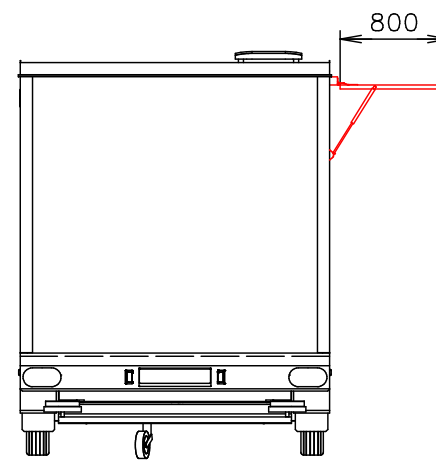
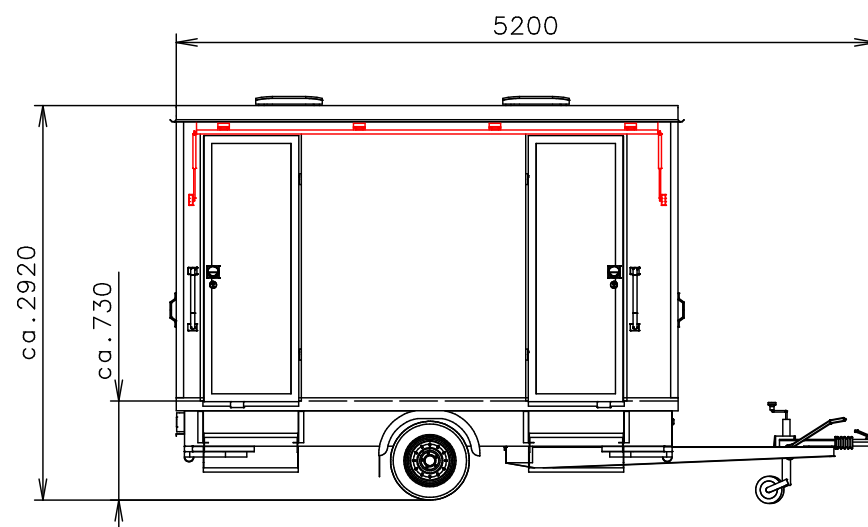
EUROWAGON

Drawing number:
2776-37-1_1/2 (Scholz)

(Cabling and piping is not shown on the 3D views and drawings)

Connection hoses and cables	
Water hose:	✓
Waste water hose:	✗
Electric cable:	✓ Schuco

- Ⓥ Water connection 3/4" (through the floor)
- Ⓢ Electric connection (through the floor) (230V-16A)
- Ⓣ Effluent connection ø110 (through floor)
- Ⓜ Power point
- Ⓛ Light switch
- Ⓚ Switch board (1100 over floor)
- Ⓞ Spot light
- External LED stripe
- Ⓜ Heating (500W)
- Ⓜ Heating (750W)
- Ⓞ Floor drain hole
- Ⓢ Sink ø335 (stainless steel) + timing push water tap (only cold water)
- Ⓢ Hanging toilet
- Ⓢ Urinal - Vitra Siko (water flush)
- Ⓢ Roof window Dometic (400x400)
- Ⓚ Ventilation ø120
- Ⓢ Brush toilet
- Ⓢ Clothes hanger
- Mirror (400x400)
- ① Speaker - in the roof
- ② Soap dispenser TORK (black)
- ③ Paper towel dispenser TORK Xpress Multifold H2 (black)
- ④ Rubish bin - through door of cupboard
- ⑤ Paper toilet dispenser - TORK T4 (black)
- ⑥ Foldable stairs Oliver



Water piping - inclined for discharging (won't be fully discharged)

Working desks in waterproof compact desk Egger (dark color)

RAL 9010 - interior walls
RAL 7042 - interior doors + divider wall + cupboards under sinks

100

Notes: Axle with suspension | Door stay - stainless steel

Interior height:	2100 mm	Total weight:	1300 kg
Color:	RAL 9010	Tare weight-estimate:	1200 kg
Floor:	PVC black	Centre of wheels from rear side:	1870 mm
Date:	19.10.2017	Wheels:	165 R13C

EUROWAGON

Drawing number:
2776-37-1_2/2 (Scholz)

(Cabling and piping is not shown on the 3D views and drawings)