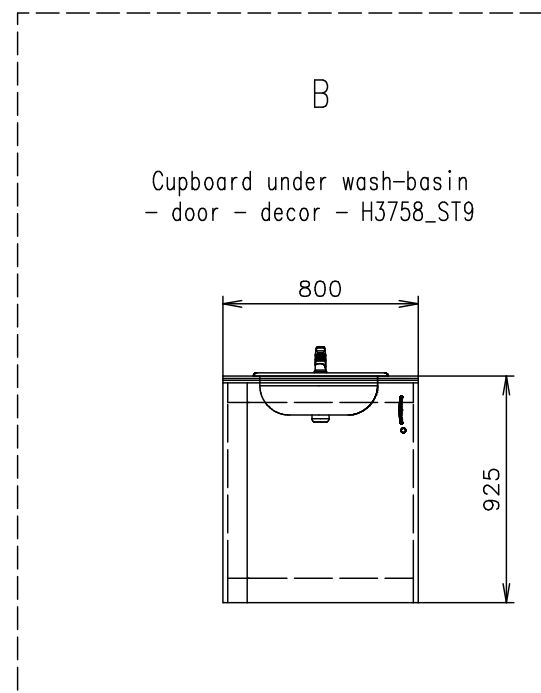
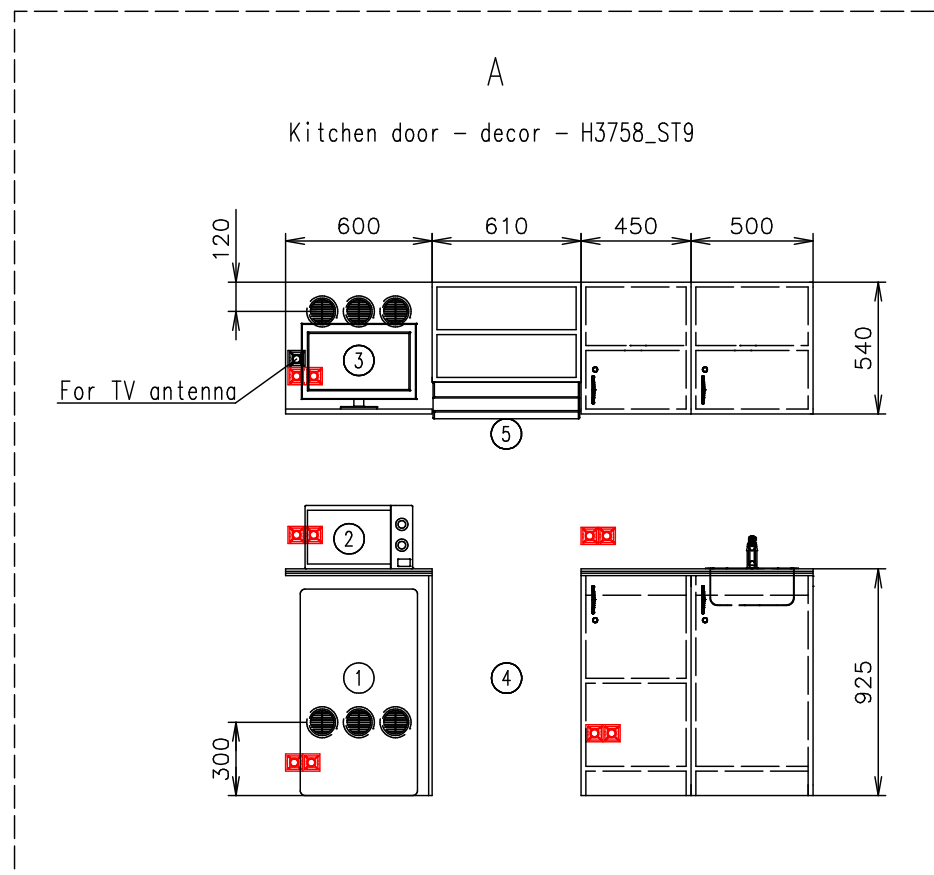
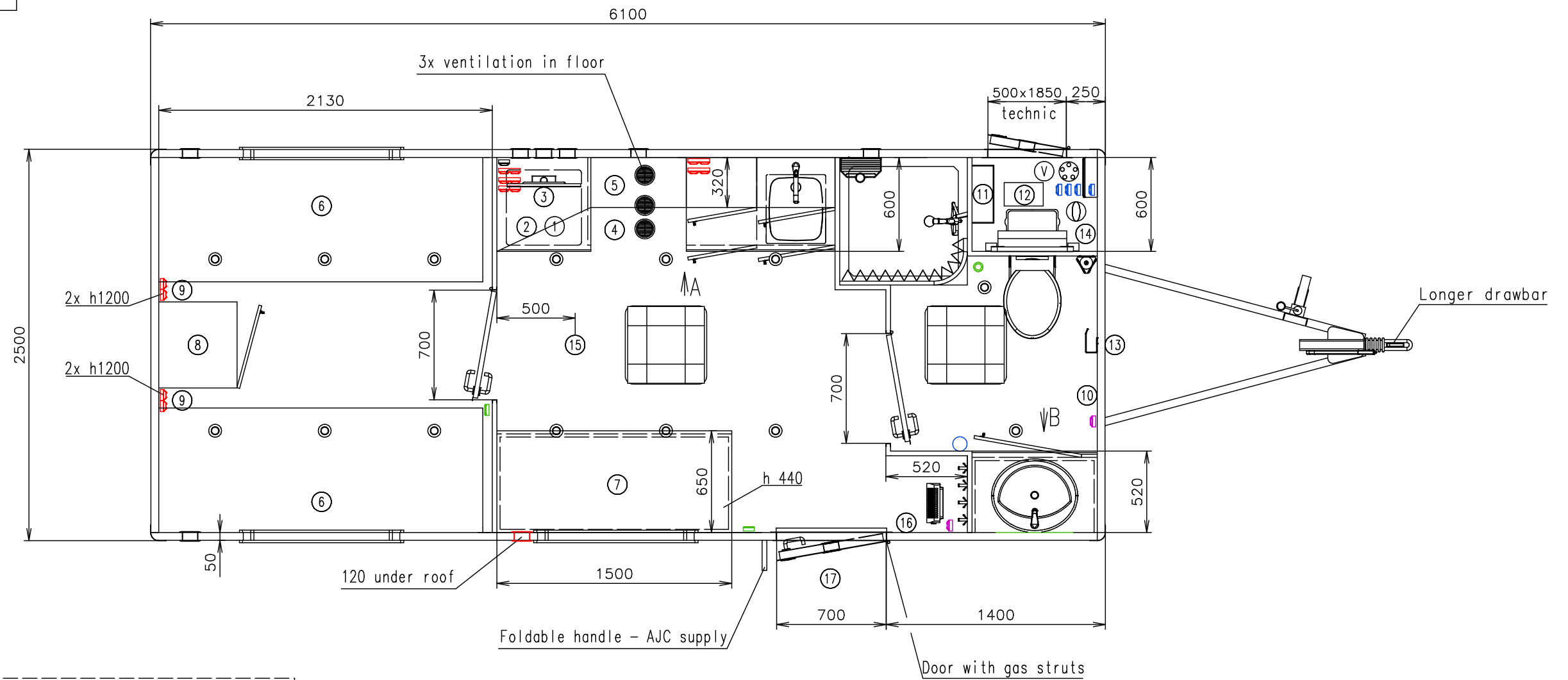


Connection hoses and cables	
Water hose:	✓
Waste water hose:	✓
Electric cable:	✓ 15m



Water and shower taps from AJC

Water piping - John Guest | Carpet in bedroom - like 1765-61, CZ supply

Notes: Special windows - will not be mounted by Eurowagon

Interior height:	2100 mm	Total weight:	2600 kg
Color:	2x side wall RAL 7042, otherwise RAL 9010	Tare weight:	1880 kg
Floor:	PVC gray	Centre of wheels from rear side:	3150 mm
Date:	4.4.2016	Wheels:	165 R13C

EUROWAGON

Drawing number:
2188-61-6_1/2 (AJC)

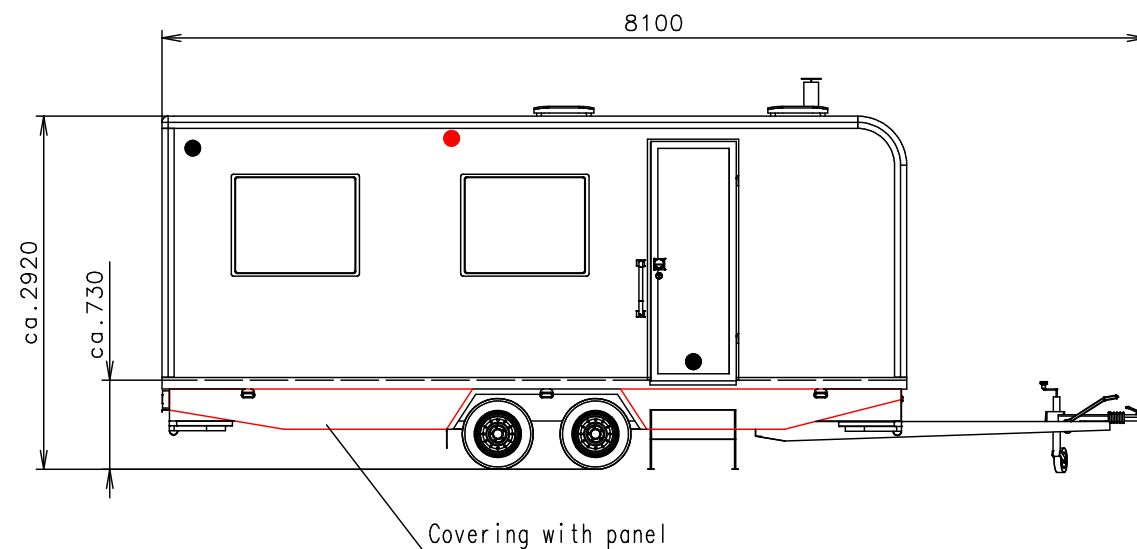
(Cabling and piping is not shown on the 3D views and drawings)

Connection hoses and cables	
Water hose:	✓
Waste water hose:	✓
Electric cable:	✓ 15m

- Ⓥ Water connection 3/4" (through the floor)
- Ⓢ Electric connection (through the floor) (230V-32A)
- Ⓣ Effluent connection 1"
- Ⓟ Power point
- Ⓡ Double power point - UK
- Ⓛ IP switch (directly to switch board) - UK
- Ⓜ Power point "fused spur" - UK
- Ⓝ Light switch
- Ⓞ IP light switch (UK)
- Ⓠ Switch board (1200 over floor)
- Ⓢ Spot light
- Ⓣ Heating (500W) - through power point "fused spur" (UK)
- Ⓤ Floor drain hole
- Ⓚ Shower (800x800) Cola
- Ⓛ Kitchen sink Alveus Basic 10 + water tap - AJC supply

- Ⓢ Wash-basin (built-in) Multi 1690 (550x470) + water tap - AJC supply
- Ⓛ Hanging toilet + pump Setsan - through IP switch (UK)
- Ⓠ Roof window Dometic (400x400)
- Ⓡ Ventilation ø120
- Ⓡ Ventilation ø120 - 120 under roof
- Ⓢ Brush toilet
- Ⓛ Toilet paper holder
- Ⓠ Shelf steel
- Ⓛ Shower curtain
- Ⓛ Clothes hanger
- Ⓝ Mirror (500x500)
- ① Fridge - connection point AJC supply
- ② Microwave - connection point AJC supply
- ③ TV 19" - connection point AJC supply + antenna

- ④ Place for gas cooker - AJC supply
- ⑤ Cooker hood
- ⑥ Bed (2070 x 795)
- ⑦ Bench with storage (without upholstery) - decor - H3758_ST9
- ⑧ Cupboard (500 x 500 x 1950) (4x shelf) - door - decor - H3758_ST9
- ⑨ Reading light over bed (AJC supply) - position ?
- ⑩ Heating panel - stainless (approx 1140 x 450) - through power point "fused spur" (UK)
- ⑪ Gas water heater - Rinnai Infinity 16i - through IP switch (UK)
- ⑫ Water pump (AJC supply) - through IP switch (UK)
- ⑬ Gas regulator - AJC supply
- ⑭ Heating (AJC supply) - through IP switch (UK)
- ⑮ Smoke detector - on the roof - AJC supply
- ⑯ Fire extinguisher (on the wall) - AJC supply
- ⑰ Standard free standing stairs



(Cabling and piping is not shown on the 3D views and drawings)

Water and shower taps from AJC

Water piping - John Guest | Carpet in bedroom - like 1765-61, CZ supply

Notes: Special windows - will not be mounted by Eurowagon

Interior height:	2100 mm	Total weight:	2600 kg
Color:	2x side wall RAL 7042, otherwise RAL 9010	Tare weight:	1880 kg
Floor:	PVC gray	Centre of wheels from rear side:	3150 mm
Date:	4.4.2016	Wheels:	165 R13C

EUROWAGON

Drawing number:
2188-61-6_2/2 (AJC)