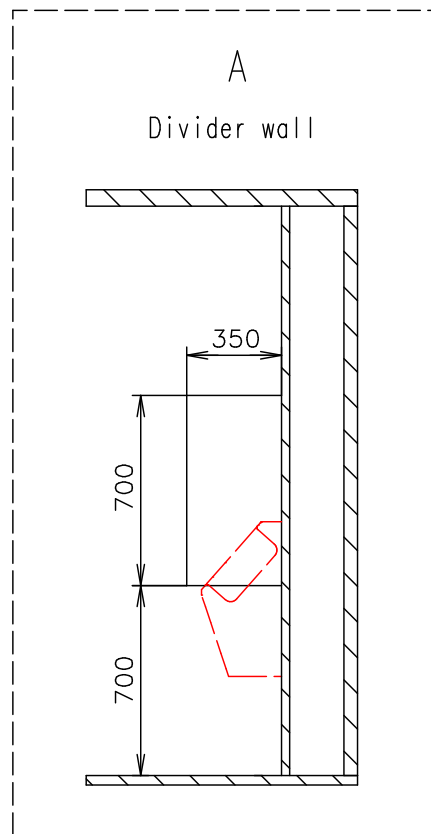
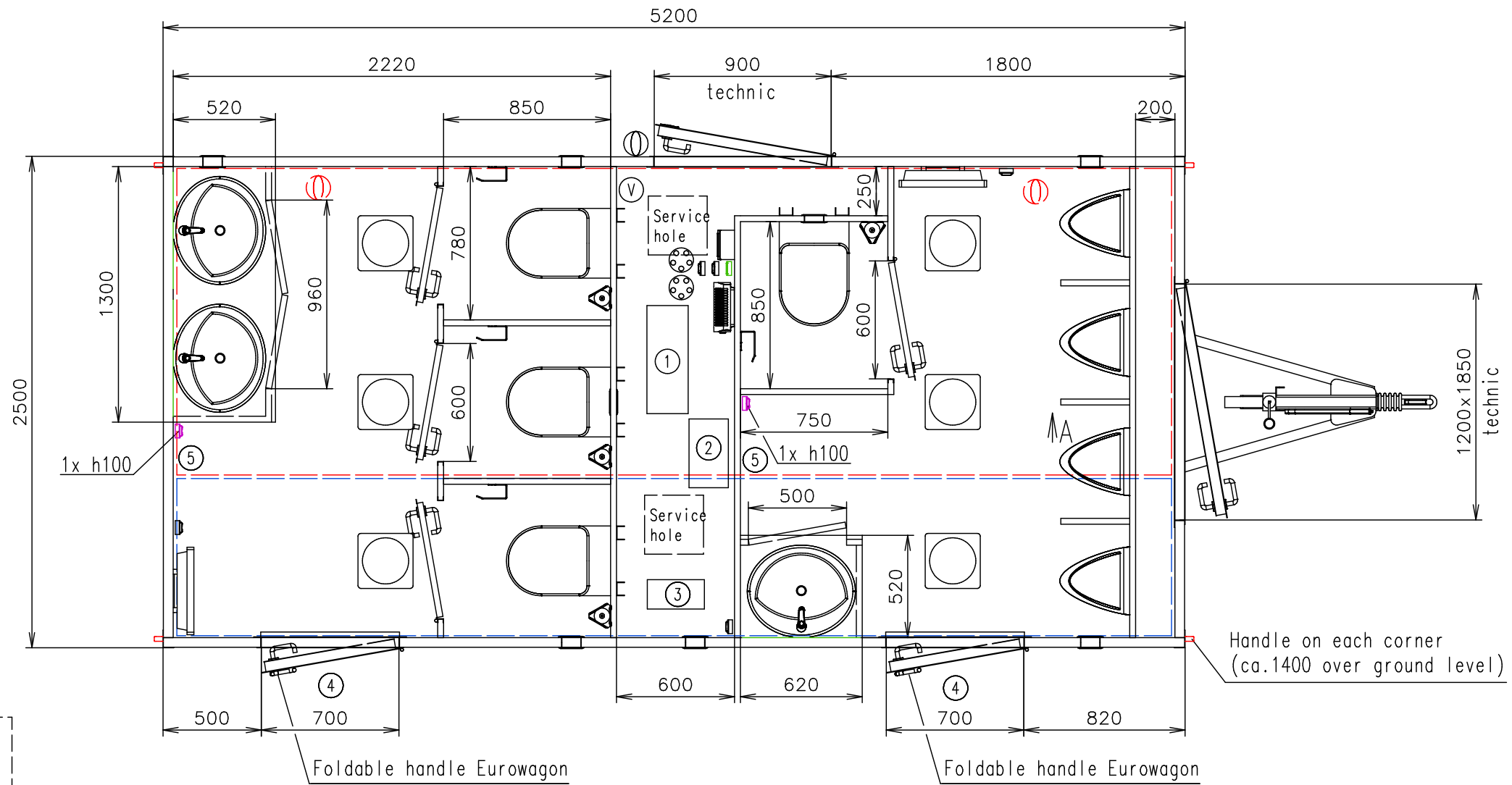


Connection hoses and cables	
Water hose:	✓
Waste water hose:	✗
Electric cable:	✓ 2x



Waste water from vacuum pump either to tank or directly out through wall under technic door

Notes: Working desks in waterproof compact desk Egger (dark color)

Interior height:	2100 mm	Total weight:	3500 kg
Color:	RAL 9010	Tare weight-estimate:	2200 kg
Floor:	PVC black	Centre of wheels from rear side:	2540 mm
Date:	14.3.2024	Wheels:	195/50 R13C

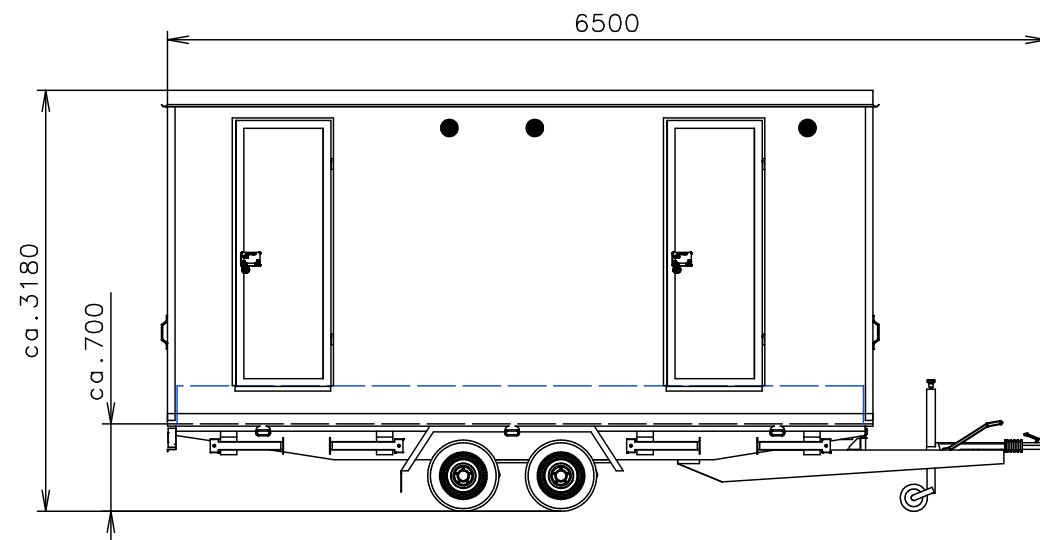
**EUROWAGON**

Drawing number:  
4489-52-1\_1/2 (Climat)

(Cabling and piping is not shown on the 3D views and drawings)

Connection hoses and cables	
Water hose:	✓
Waste water hose:	✗
Electric cable:	✓ 2x

- Ⓧ Water connection 3/4" (through the wall) + filter + reduction valve
- Ⓧ 2x electric connection (through the wall) (230V-16A) (1x power points for hand dryer and 1x the rest)
- Ⓧ Effluent connection 2,5" (under floor from tank) or 1" (directly from Jets pump, through wall)
- Ⓧ Power point
- Ⓧ Power point – own circuit breaker
- Ⓧ Light switch
- Ⓧ Switch board (1200 over floor)
- Ⓧ LED droplight
- Ⓧ Heating (500W)
- Ⓧ Heating (750W)
- Ⓧ Wash-basin (built-in) Multi 1690 (550x470) + timing push water tap (only cold water)
- Ⓧ Vacuum toilet Jets
- Ⓧ Urinal – Uridan (waterless)
- Ⓧ Waste-water tank (on the floor) (15060 x w1560 x h250 = 1690l) + sonography sensor + indicator
- Ⓧ Water tank (on the floor) (15060 x w800 x h250 = 850l) + sonography sensor + indicator
- Ⓧ Ventilation ø120
- Ⓧ Brush toilet
- Ⓧ Toilet paper holder
- Ⓧ Clothes hanger
- Ⓧ Mirror (600x600)
- ① Vacuumator Jets 15MB
- ② Gray water tank Jets 12l
- ③ Water pump Grundfos hydrojet JP4 (230V)
- ④ VIP stairs (w 700) + 1x handrail
- ⑤ Place for hand dryer



(Cabling and piping is not shown on the 3D views and drawings)

Waste water from vacuum pump either to tank or directly out through wall under technic door

Notes: Working desks in waterproof compact desk Egger (dark color)

Interior height:	2100 mm	Total weight:	3500 kg
Color:	RAL 9010	Tare weight-estimate:	2200 kg
Floor:	PVC black	Centre of wheels from rear side:	2540 mm
Date:	14.3.2024	Wheels:	195/50 R13C

**EUROWAGON**

Drawing number:  
4489-52-1\_2/2 (Climat)