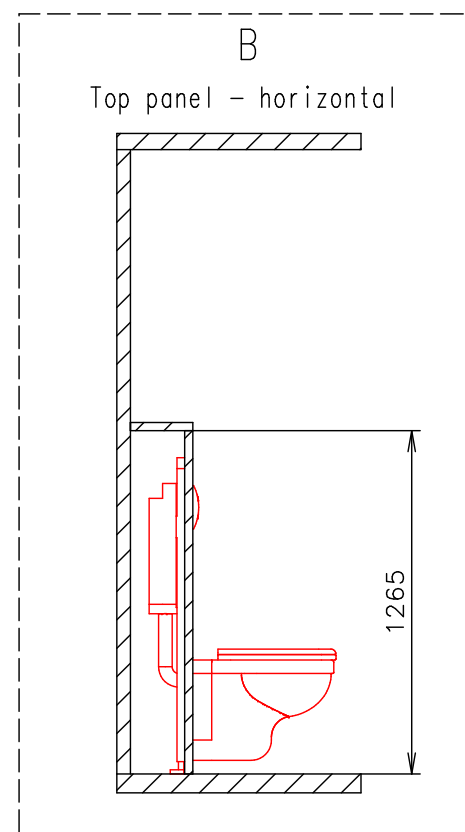
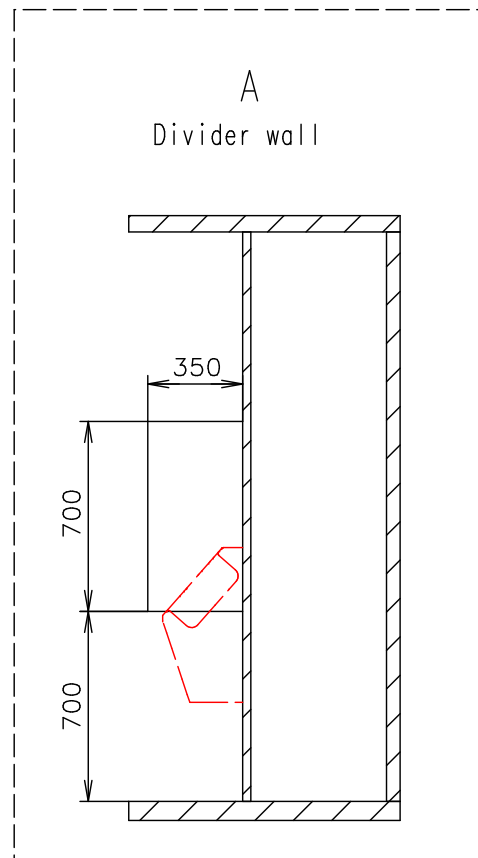
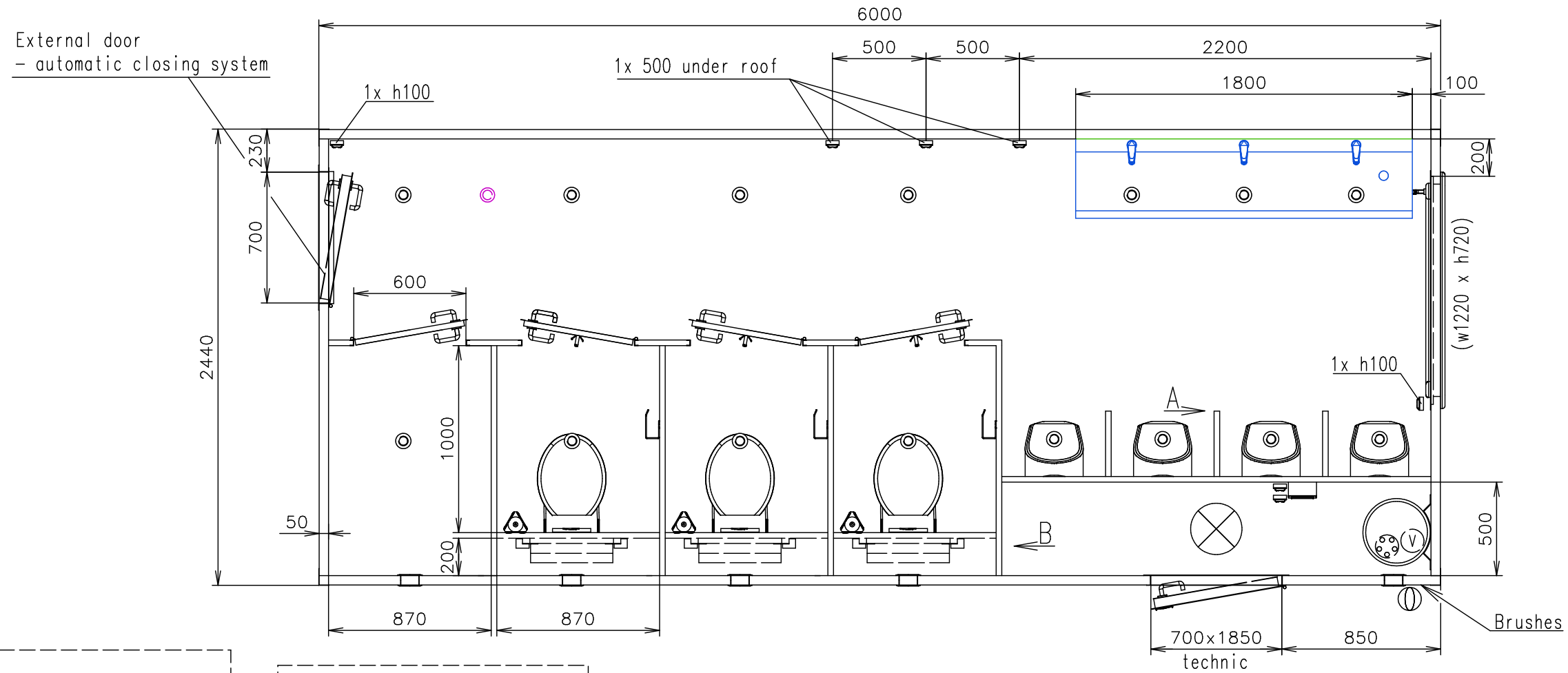


Connection hoses and cables		
Water hose:	✗	Geka
Waste water hose:	✗	
Electric cable:	✗	Schuco



(Cabling and piping is not shown on the 3D views and drawings)

Notes: Without heating External doors - without cylinders

Interior height:	2100 mm	Total weight:	-
Color:	RAL 9010	Tare weight:	-
Floor:	PVC black	Centre of wheels from rear side:	-
Date:	28.3.2023	Wheels:	-

EUROWAGON

Drawing number:
4283-60-2 EWK_1/2 (Einböck)

Connection hoses and cables		
Water hose:	✗	Geka
Waste water hose:	✗	
Electric cable:	✗	Schuco

Ⓜ Water connection 3/4" (through the wall)
+ filter + reduction valve
(connection point Geka 3/4")

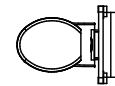


Stainless steel sink (l 1800)
+ 3x standard water tap

↕ Clothes hanger

— Mirror (1800x600)

⊕ Electric connection (through the wall)
(230V-16A)



Hanging toilet

Ⓛ Effluent connection ø110 (through wall)



Urinal - Vitra Siko (water flush)

Ⓜ Power point



Hot water boiler Slim (30 l)

⊙ Sensor Merge (230V)



Window opening inside (1170 over floor)

Ⓜ Switch board (1200 over floor)



Ventilation ø120

⊙ LED spotlight (through sensor) (delay 15 minutes)

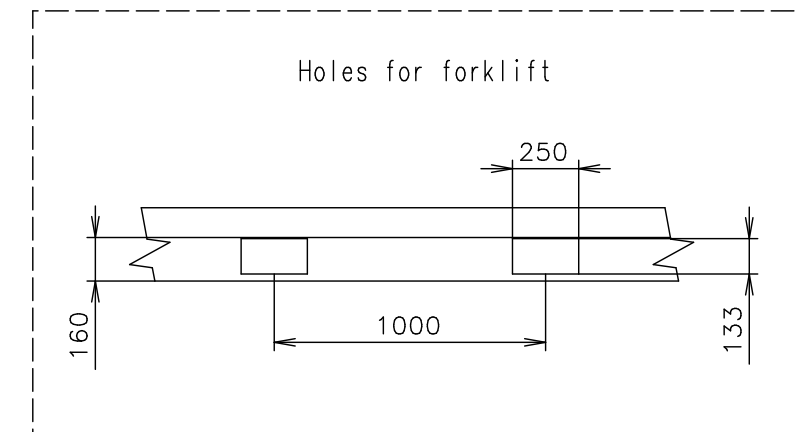
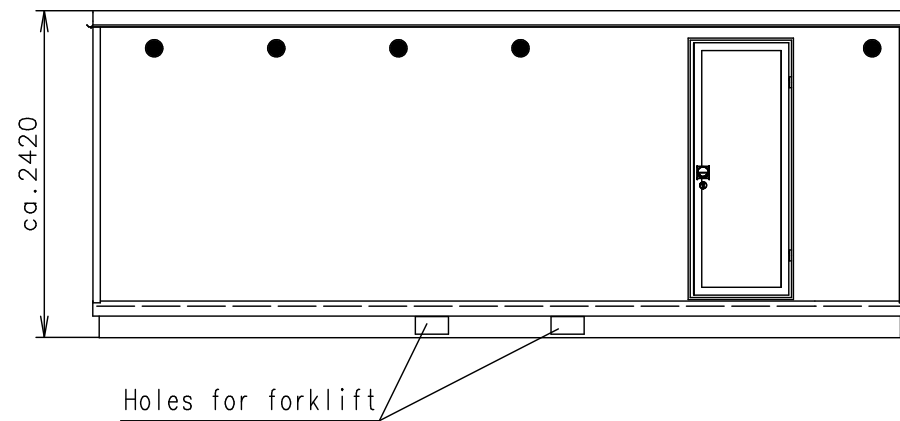


Brush toilet

⊗ LED sensorlight



Toilet paper holder



Notes: Without heating External doors - without cylinders

Interior height:	2100 mm	Total weight:	-
Color:	RAL 9010	Tare weight:	-
Floor:	PVC black	Centre of wheels from rear side:	-
Date:	28.3.2023	Wheels:	-

EUROWAGON

Drawing number:
4283-60-2 EWK_2/2 (Einböck)

(Cabling and piping is not shown on the 3D views and drawings)