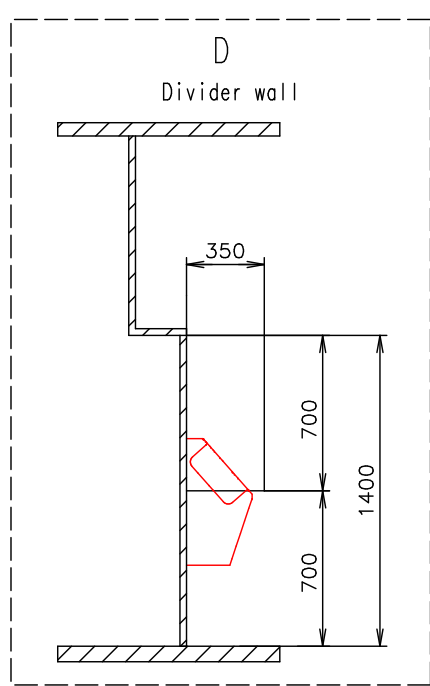
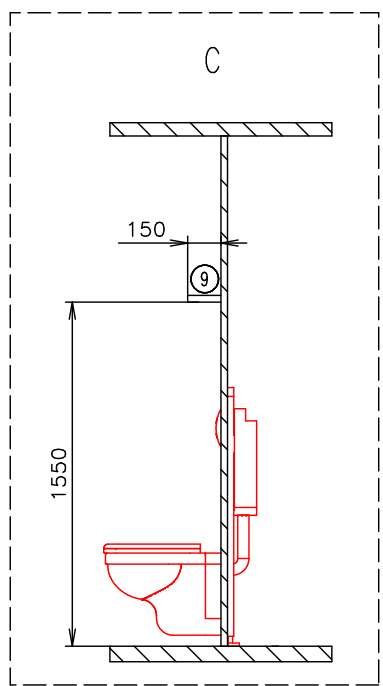
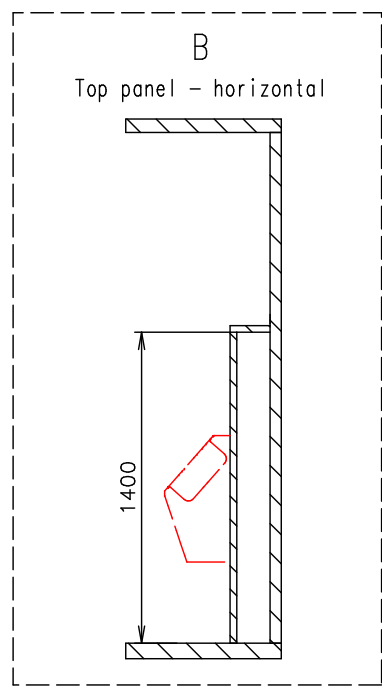
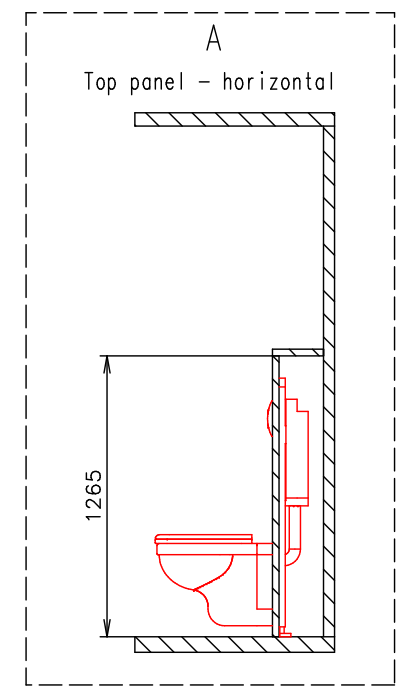
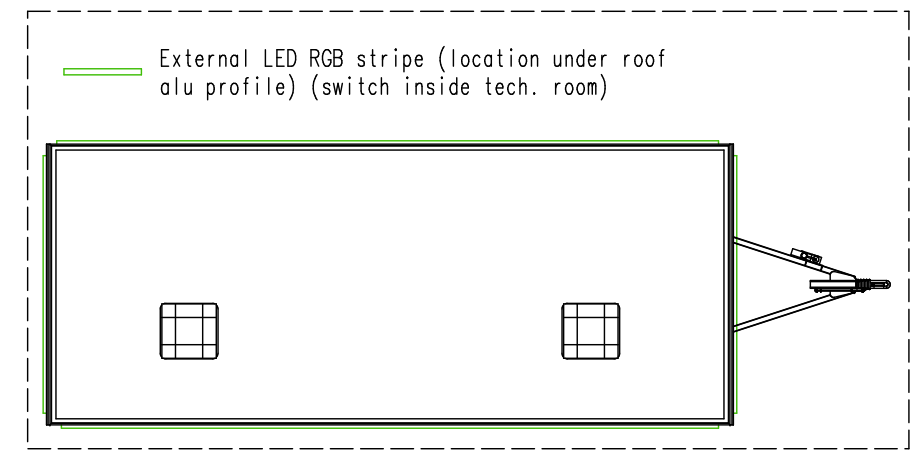
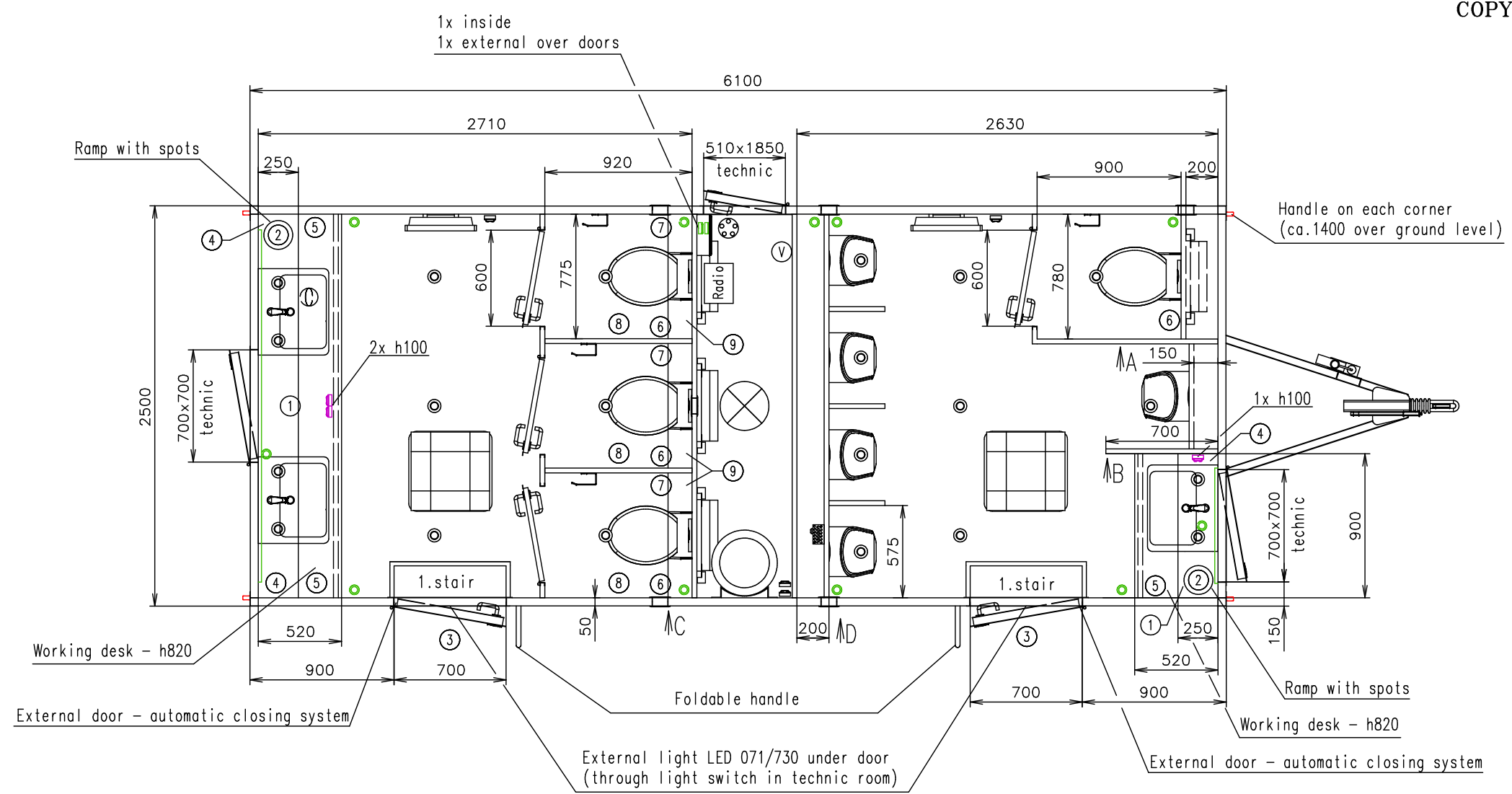


Connection hoses and cables	
Water hose:	✓
Waste water hose:	✗
Electric cable:	✓ Schuco



(Cabling and piping is not shown on the 3D views and drawings)

- Chassis covered by plastic/cloth skirt - gray color
- External doors stop - stainless steel (without technic door)
- Working desks in waterproof compact desk Egger (dark color)
- Interior doors + divider walls in black decor 6515
- External door - automatic closing system
- Mover - AL-KO Mammut

Notes:

Interior height:	2300 mm	Total weight:	2600 kg
Color:	RAL 7042 (gray)	Tare weight-estimate:	2100 kg
Floor:	PVC Supreme plus 030	Centre of wheels from rear side:	2990 mm
Date:	1.11.2022	Wheels:	165 R13C

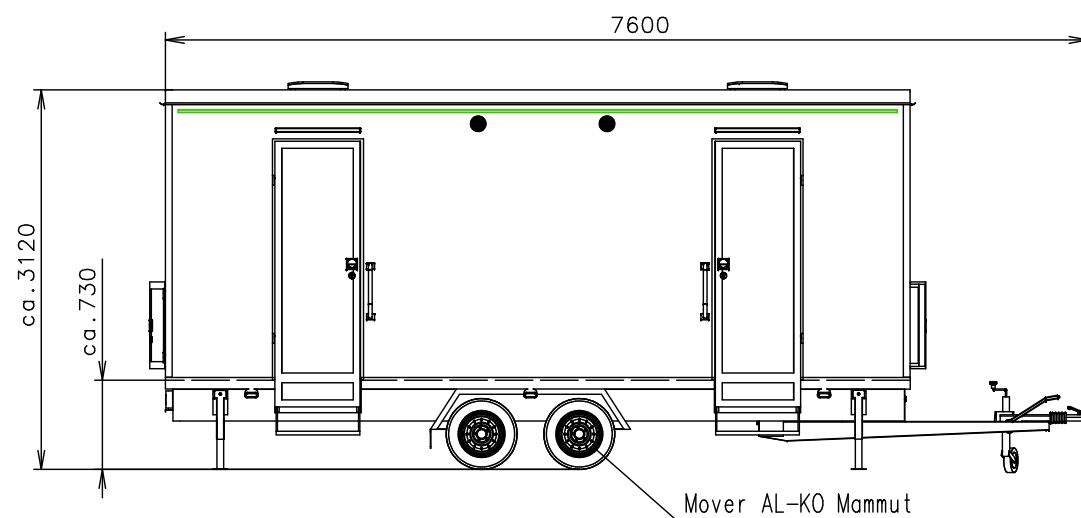
EUROWAGON

Drawing number:
4174-61-1_1/2 (Müller)

Connection hoses and cables	
Water hose:	✓
Waste water hose:	✗
Electric cable:	✓ Schuco

- Ⓥ Water connection 3/4" (through the floor)
- Ⓜ Electric connection (through the floor) (230V-16A)
- Ⓛ Effluent connection ø110 (under floor)
- Ⓜ Power point
- Ⓜ Power point for water tap
- Ⓜ Wight switch
- Ⓜ Switch board (1200 over floor)
- Ⓧ LED sensorlight
- Ⓞ LED spotlight
- External LED RGB stripe
- Ⓜ Heating (200W)
- Ⓜ Heating (750W)
- Ⓞ Floor drain hole
- Ⓜ Wash-basin (over the desk) Keramag (550x440) + water tap Dyson Airblade - WD04 short (mixed water)
- Ⓜ Hanging toilet
- Ⓜ Urinal - Vitra Siko (sensor water flush)
- Ⓜ Hot water boiler (30 l) + mixing water
- Ⓜ Ventilation ø120
- Ⓜ Toilet paper holder - customer supply

- Mirror (2200x850 and 720x850), fixed from wall + light LED stripe behind
- ① Rubish bin
- ② Speaker - in the roof
- ③ Foldable stairs Fiona
- ④ Soap dispenser TORK (stainless steel) (460009)
- ⑤ Paper towel dispenser TORK Xpress Multifold (stainless steel) (460004)
- ⑥ Brush toilet Sanela SLZN 19X
- ⑦ Hanging waste bin (Newlcon 3l - matt steel)
- ⑧ Dispenser (bin) of hygienic bags - customer supply
- ⑨ Shelf (panel 25)



(Cabling and piping is not shown on the 3D views and drawings)

- Chassis covered by plastic/cloth skirt - gray color
- External doors stop - stainless steel (without technic door)
- Working desks in waterproof compact desk Egger (dark color)
- Interior doors + divider walls in black decor 6515
- External door - automatic closing system
- Mover - AL-KO Mammut

Notes:

Interior height:	2300 mm	Total weight:	2600 kg
Color:	RAL 7042 (gray)	Tare weight-estimate:	2100 kg
Floor:	PVC Supreme plus 030	Centre of wheels from rear side:	2990 mm
Date:	1.11.2022	Wheels:	165 R13C

EUROWAGON

Drawing number:
4174-61-1_2/2 (Müller)