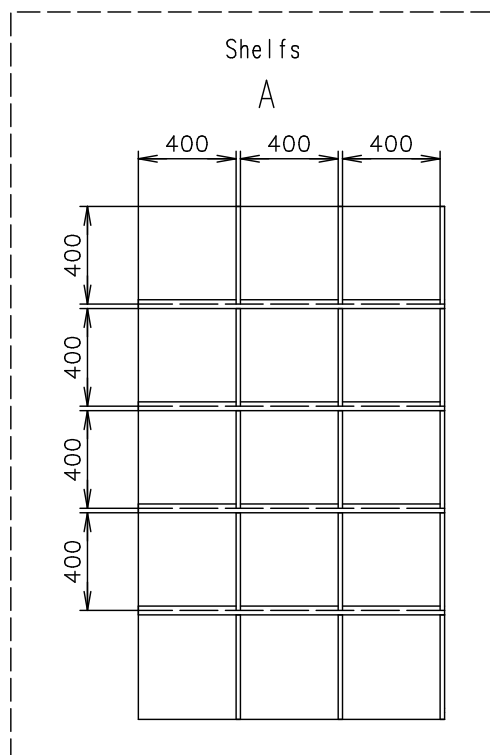
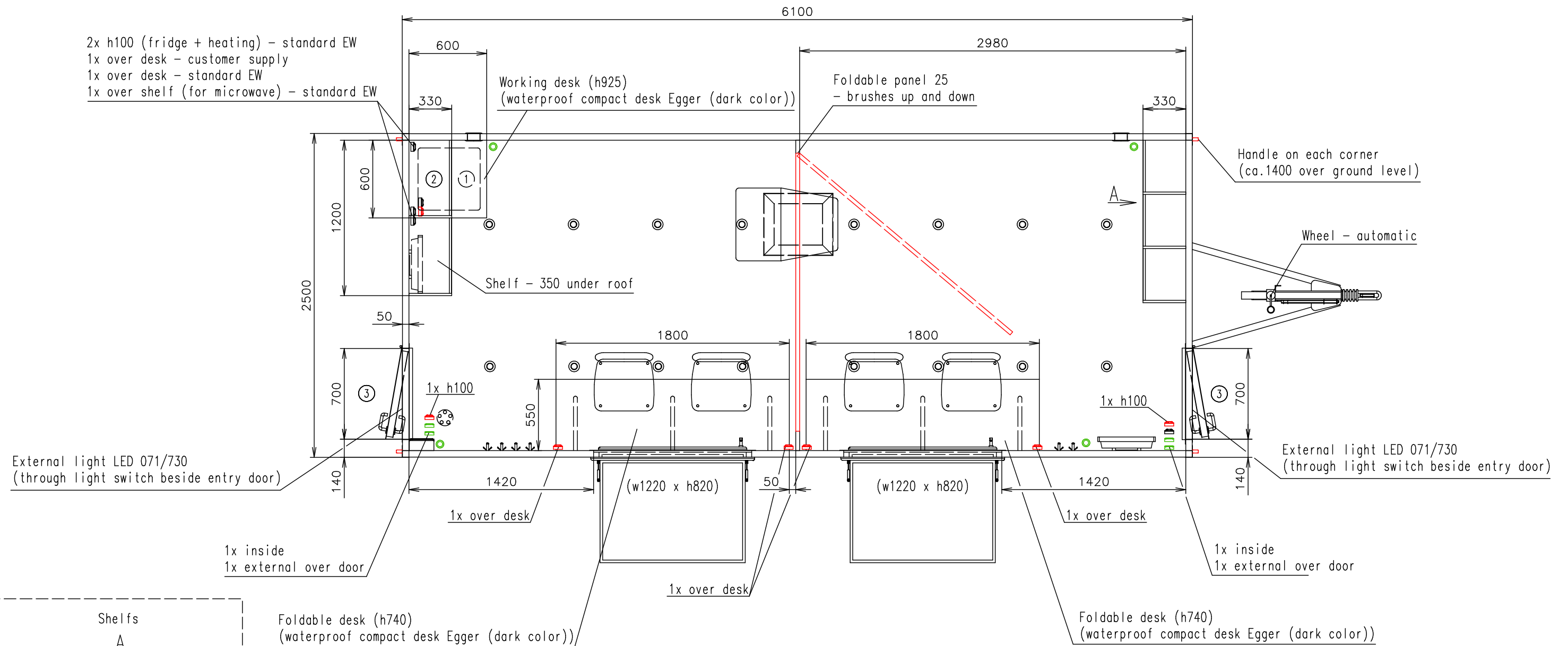


Connection hoses and cables	
Water hose:	✗
Waste water hose:	✗
Electric cable:	✓



Foldable desk (h740)
 (waterproof compact desk Egger (dark color))

Foldable desk (h740)
 (waterproof compact desk Egger (dark color))

Chassis covered by plastic/cloth skirt – gray color

Wheel blocks – steel

Axles with suspension Chassis – real winter/snow tires

Notes: Customer supply – frame of registration plate and mudguard flap

100

Interior height:	2100 mm	Total weight:	2600 kg
Color:	RAL 7042 (gray)	Tare weight-estimate:	1600 kg
Floor:	PVC Supreme plus 030	Centre of wheels from rear side:	2990 mm
Date:	22.2.2022	Wheels:	165 R13C

EUROWAGON

Drawing number:
 2342-61-3_1/2 (Werag)

(Cabling and piping is not shown on the 3D views and drawings)

Connection hoses and cables	
Water hose:	✗
Waste water hose:	✗
Electric cable:	✓

⊕ Electric connection (on the chassis) (400V-16A)

⏻ Power point

⏻ Power point – customer supply

⏻ Light switch

⏻ Switch board (under roof)

⊙ Spot light

🏠 Roof A/C+heating (Dometic Freshjet 1700)
+ external sheet metal cover

🔥 Heating (750W)

⊙ Floor drain hole

🪟 Window opening inside (870 over floor) + shutter

🪟 Ventilation ø120

🪑 Chair

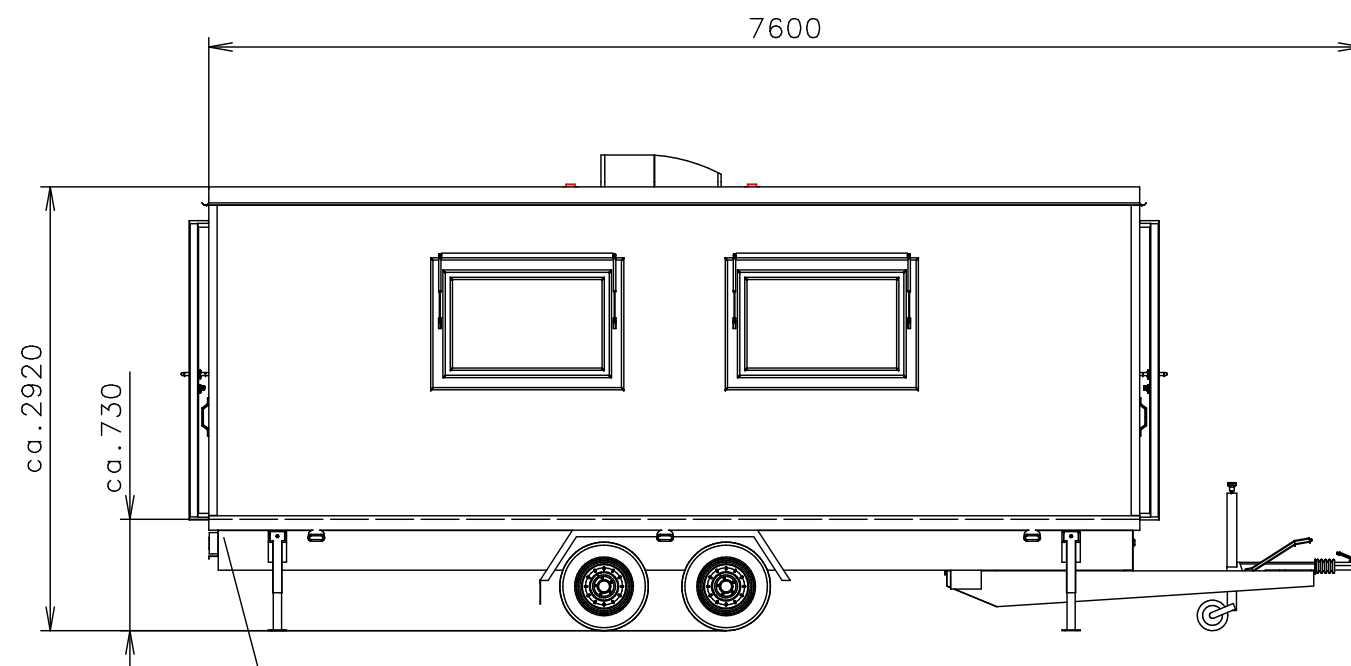
🪴 Shelf

👔 Clothes hanger

① Fridge

② Microwave (on the shelf)

③ Foldable stairs Serena + feet + 1x handrail



Extra chassis lights JOKON SPL2020

(Cabling and piping is not shown on the 3D views and drawings)

Chassis covered by plastic/cloth skirt – gray color

Wheel blocks – steel

Axles with suspension Chassis – real winter/snow tires

Notes: Customer supply – frame of registration plate and mudguard flap

100

Interior height:	2100 mm	Total weight:	2600 kg
Color:	RAL 7042 (gray)	Tare weight-estimate:	1600 kg
Floor:	PVC Supreme plus 030	Centre of wheels from rear side:	2990 mm
Date:	22.2.2022	Wheels:	165 R13C

EUROWAGON

Drawing number:

2342-61-3_2/2 (Werag)