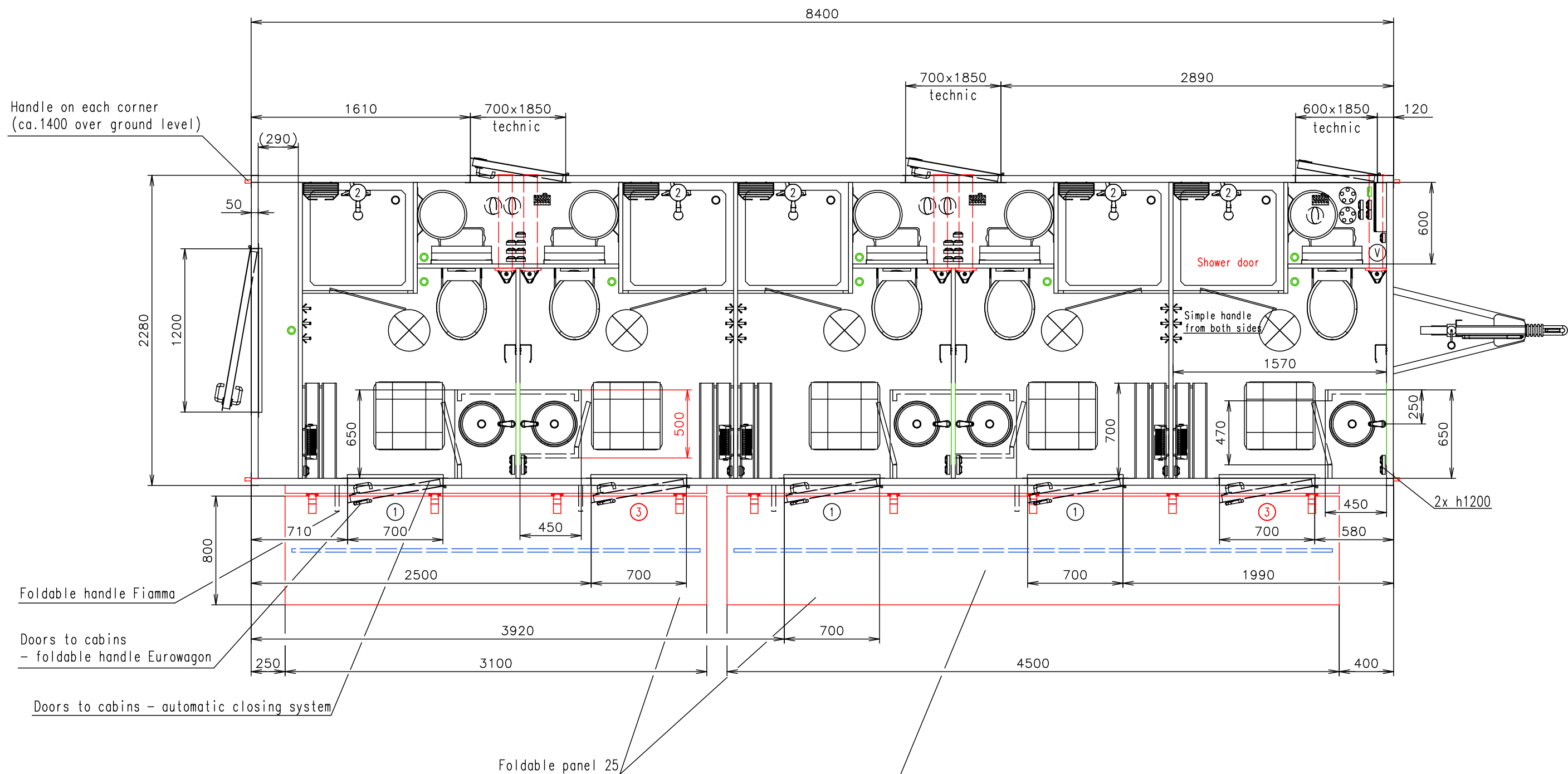


Connection hoses and cables	
Water hose:	✓ 1" heated
Waste water hose:	✓ 5x heated
Electric cable:	✓ 2x



Working desks in waterproof compact desk Egger (dark color)

Serial connection of two boilers inside two bigger tech. rooms

RAL 7042 - front, rear and side walls + roof + interior walls + side flaps - from both sides  
- covering of the chassis - only from outside

Notes:

Interior height:	2200 mm	Total weight:	3500 kg
Color:	RAL 7042 (gray)	Tare weight-estimate:	3000 kg
Floor:	PVC Tarkett safetred universal NEBULA	Centre of wheels from rear side:	4200 mm
Date:	29.3.2022	Wheels:	195/50 R13C

**EUROWAGON**

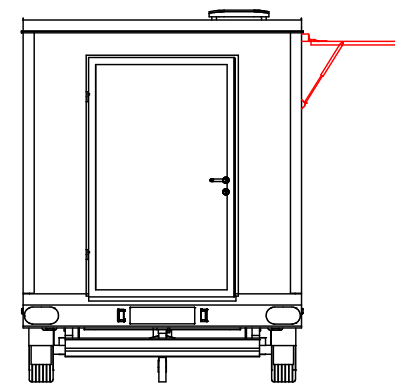
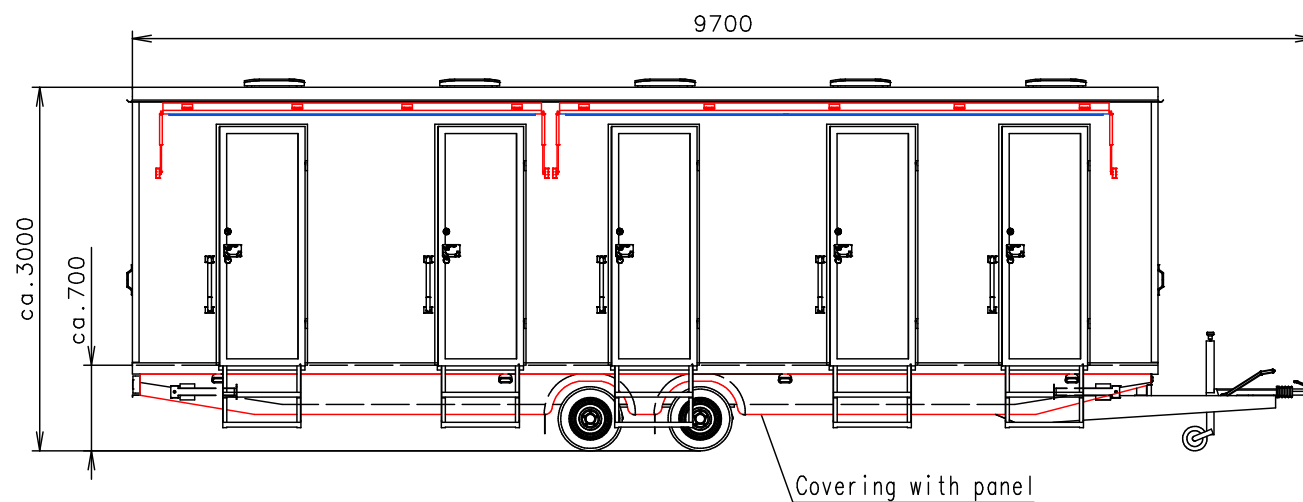
Drawing number:  
4046-84-1\_1/2 (Weilheim-Schongau)

(Cabling and piping is not shown on the 3D views and drawings)

Connection hoses and cables	
Water hose:	✓ 1" heated
Waste water hose:	✓ 5x heated
Electric cable:	✓ 2x

- Ⓧ Water connection 1" (through the floor)
- ⊙ 2x Electric connection (through the floor) (400V-16A)
- Ⓛ 5x effluent connection 1"
- Ⓜ Power point
- Ⓜ Double power point
- Ⓛ Light switch
- Ⓜ Switch board (1200 over floor)
- ⊗ LED sensorlight
- External LED stripe  
- through light switch in front technical room
- Ⓜ Heating (500W)
- Ⓜ Heating (200W)
- Electric ventilator 230V (with light)
- ⊙ Floor drain hole
- Ⓜ Shower (800x800) Cola
- Ⓜ Sink ø335 (stainless steel) + standard water tap (mixed and cold water)

- Ⓜ Hanging toilet + pump Setsan
- Ⓜ Hot water boiler Slim (80 l) + mixing water
- Ⓜ Roof window Dometic (400x400)
- Ⓜ Wooden bench
- Ⓜ Brush toilet
- Ⓜ Toilet paper holder
- Ⓜ Shelf steel
- Ⓜ Clothes hanger
- Mirror (600x600)
- ① Foldable stairs Serena
- ② Shower set - shower tap + bar holder with shower head (ca. 900 mm) (mixed + cold water)
- ③ Foldable stairs Serena



- Working desks in waterproof compact desk Egger (dark color)
- Serial connection of two boilers inside two bigger tech. rooms
- RAL 7042 - front, rear and side walls + roof + interior walls + side flaps - from both sides - covering of the chassis - only from outside

Notes:

Interior height:	2200 mm	Total weight:	3500 kg
Color:	RAL 7042 (gray)	Tare weight-estimate:	3000 kg
Floor:	PVC Tarkett safetred universal NEBULA	Centre of wheels from rear side:	4200 mm
Date:	29.3.2022	Wheels:	195/50 R13C

**EUROWAGON**

Drawing number:  
4046-84-1\_2/2 (Weilheim-Schongau)

(Cabling and piping is not shown on the 3D views and drawings)