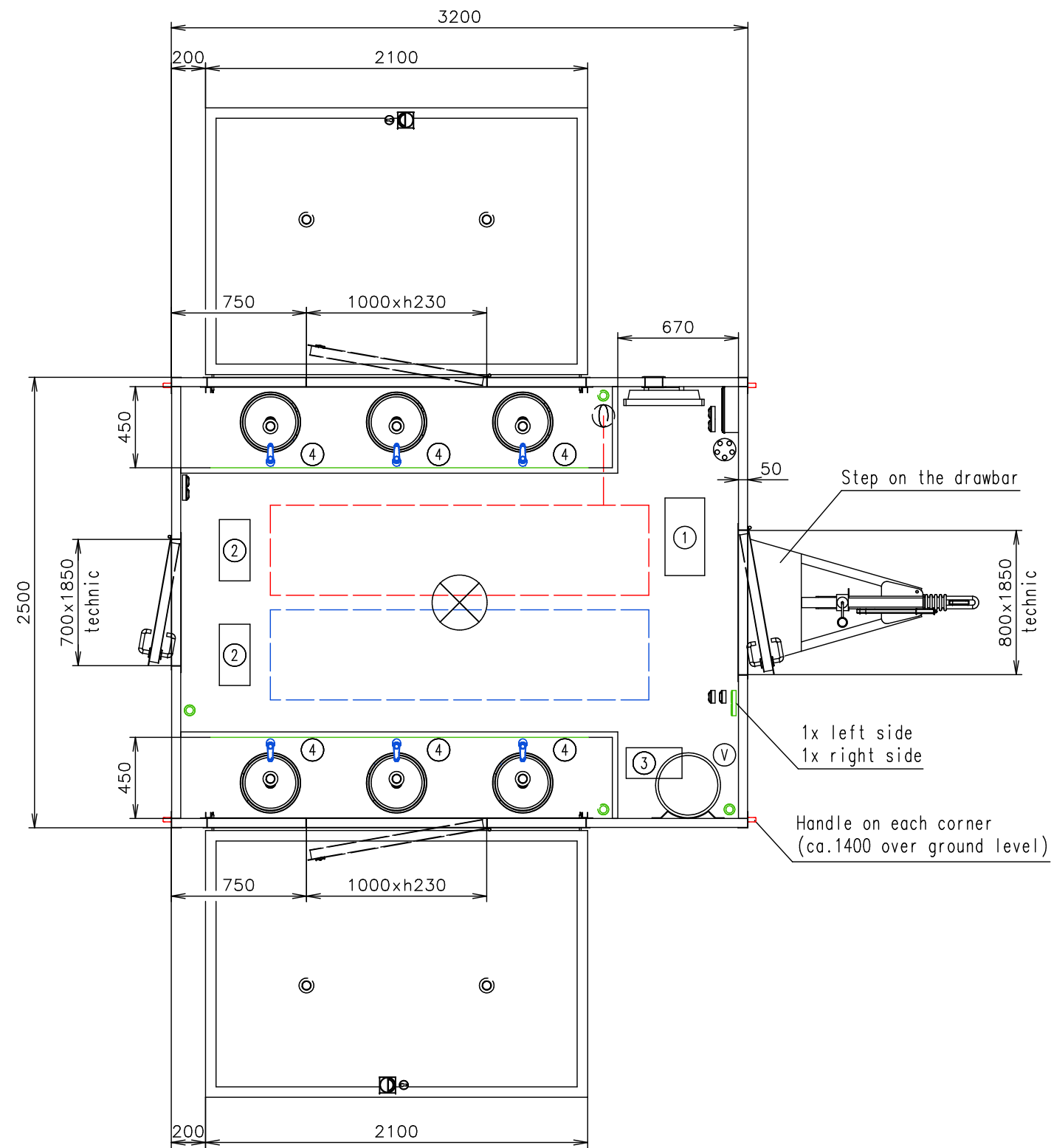


Connection hoses and cables	
Water hose:	✓
Waste water hose:	✗
Electric cable:	✓



Notes: Working desks in waterproof compact desk Egger (dark color)

Interior height:	2100 mm	Total weight:	3000 kg
Color:	RAL 9010	Tare weight-estimate:	1600 kg
Floor:	PVC gray	Centre of wheels from rear side:	1620 mm
Date:	14.7.2020	Wheels:	195/50 R13C

**EUROWAGON**

Drawing number:  
3594-32-1\_1/2 (CZ)

(Cabling and piping is not shown on the 3D views and drawings)

Connection hoses and cables	
Water hose:	✓
Waste water hose:	✗
Electric cable:	✓

Ⓥ Water connection 3/4" (through the floor)  
+ filter + reduction valve

Ⓜ Electric connection (through the floor)  
(400V-16A)

Ⓛ Effluent connection 2,5"

Ⓜ Power point

— Light switch

Ⓜ Switch board (1200 over floor)

⊗ LED sensorlight

⊙ LED spotlight

Ⓜ Heating (750W)

⊙ Floor drain hole

Ⓛ Sink ø335 (stainless steel)  
+ sensor water tap (mixed water incl. soap)

Ⓛ Hot water boiler Slim (80 l) + mixing water

Ⓜ Water tank (on the floor inside steel frame)  
(12100 x w500 x h900 = 850l)  
+ float sensor + indicator

Ⓜ Waste-water tank (on the floor inside steel frame)  
(12100 x w500 x h900 = 850l)  
+ sonography sensor + indicator

Ⓜ Ventilation ø120

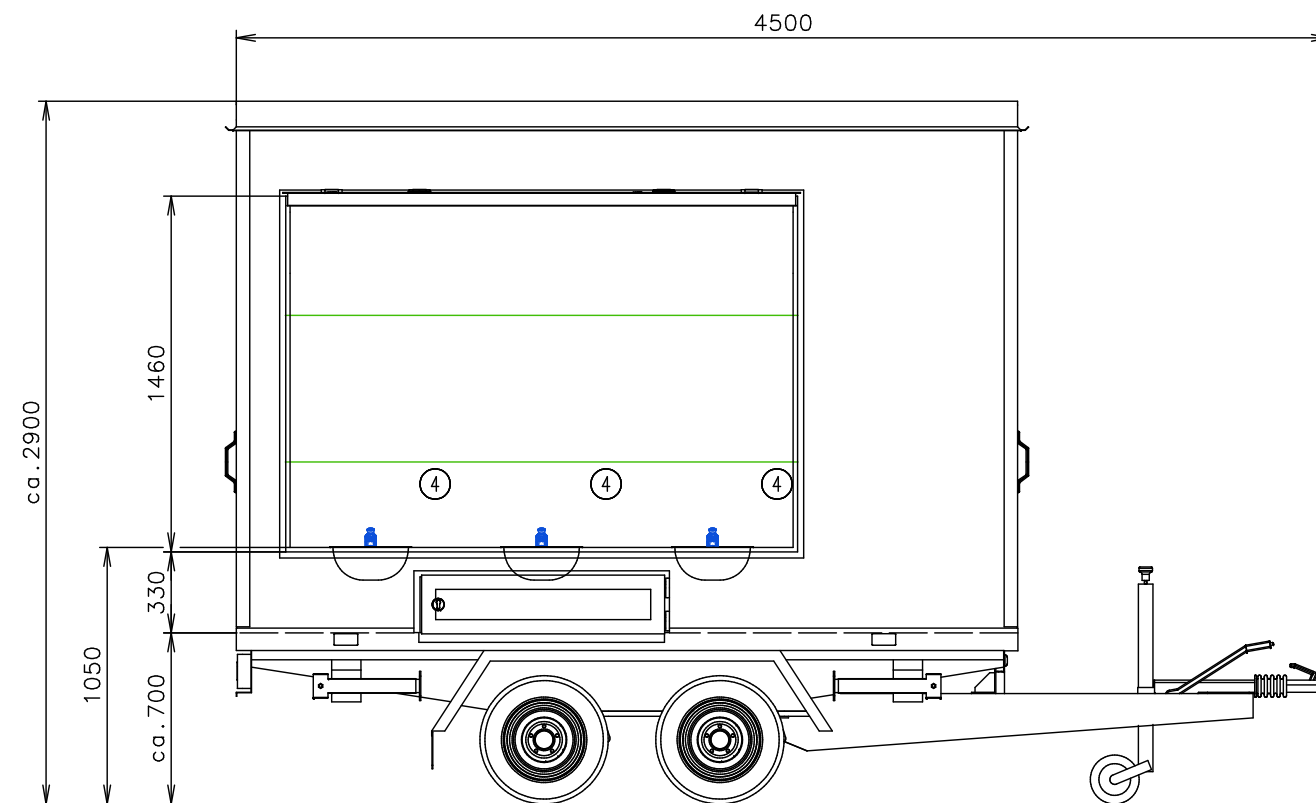
— Mirror (2100 x 600)

① Tank with soap (6l)

② Pump Setsan

③ Water pump Grundfos hydrojet JP5 (230V)

④ Sensor dispenser of disinfection



(Cabling and piping is not shown on the 3D views and drawings)

Notes: Working desks in waterproof compact desk Egger (dark color)

Interior height:	2100 mm	Total weight:	3000 kg
Color:	RAL 9010	Tare weight-estimate:	1600 kg
Floor:	PVC gray	Centre of wheels from rear side:	1620 mm
Date:	14.7.2020	Wheels:	195/50 R13C

**EUROWAGON**

Drawing number:  
3594-32-1\_2/2 (CZ)