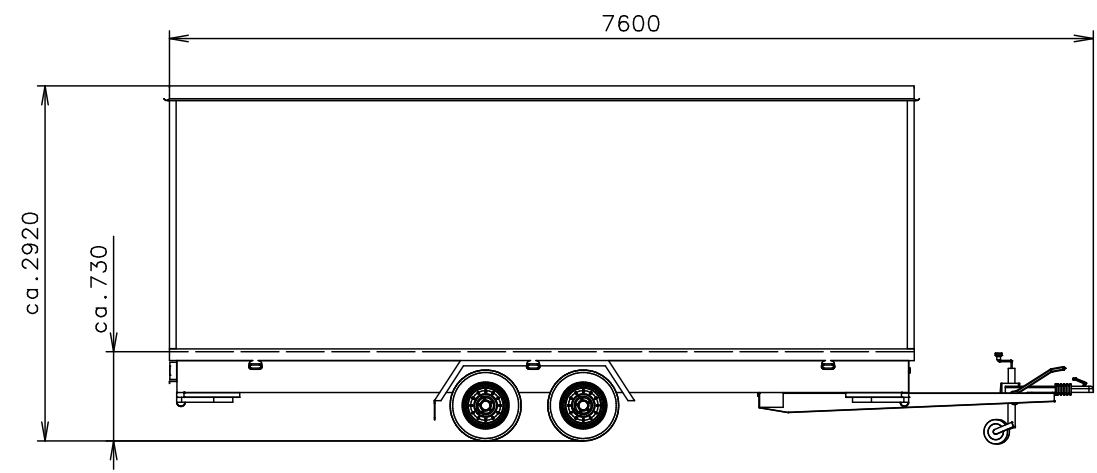
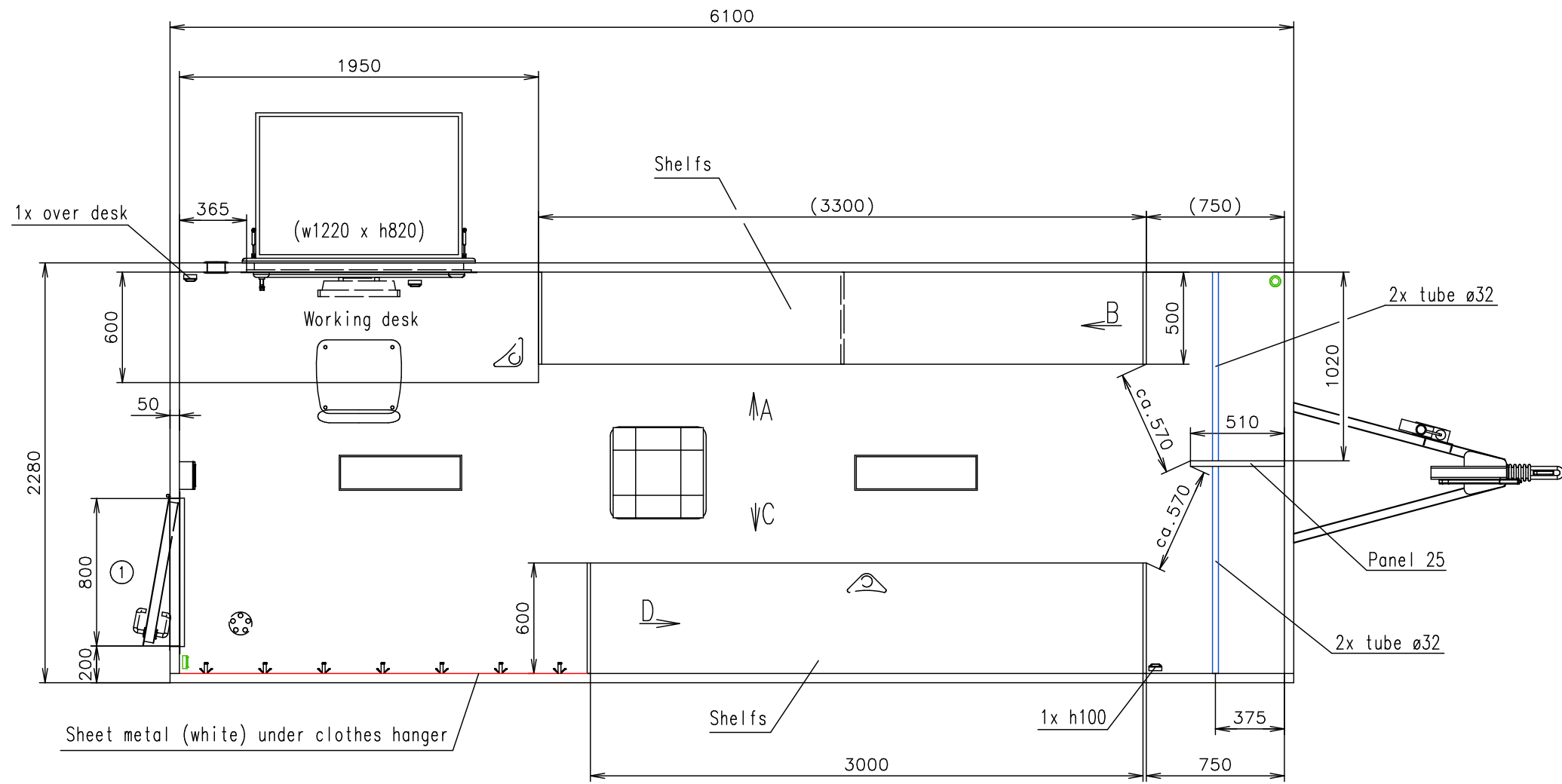


Connection hoses and cables	
Water hose:	✗
Waste water hose:	✗
Electric cable:	✓



- Electric connection (on the chassis) (230V-16A)
- Power point
- Light switch
- Switch board (under roof)
- Droplight
- Heating (750W)
- Floor drain hole
- Ventilation ø120
- Window opening inside (870 over floor) + shutter
- Roof window Dometic (400x400)
- Chair
- Clothes hanger
- Standard free standing stairs

Notes:

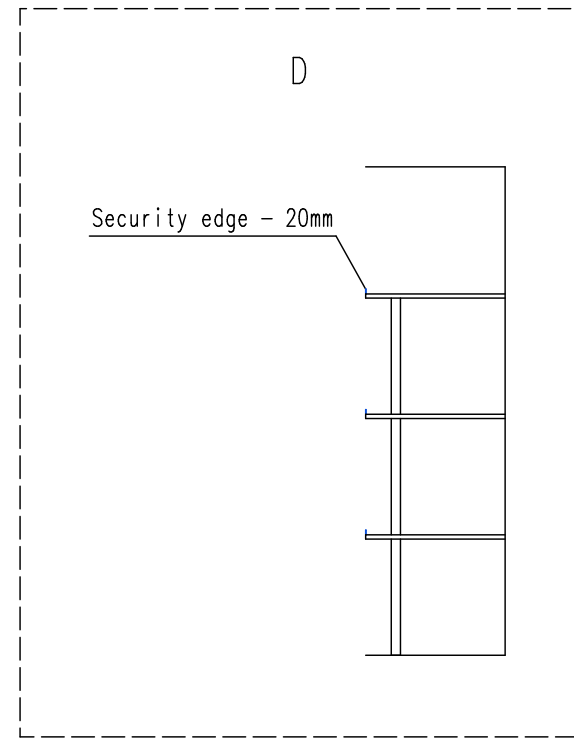
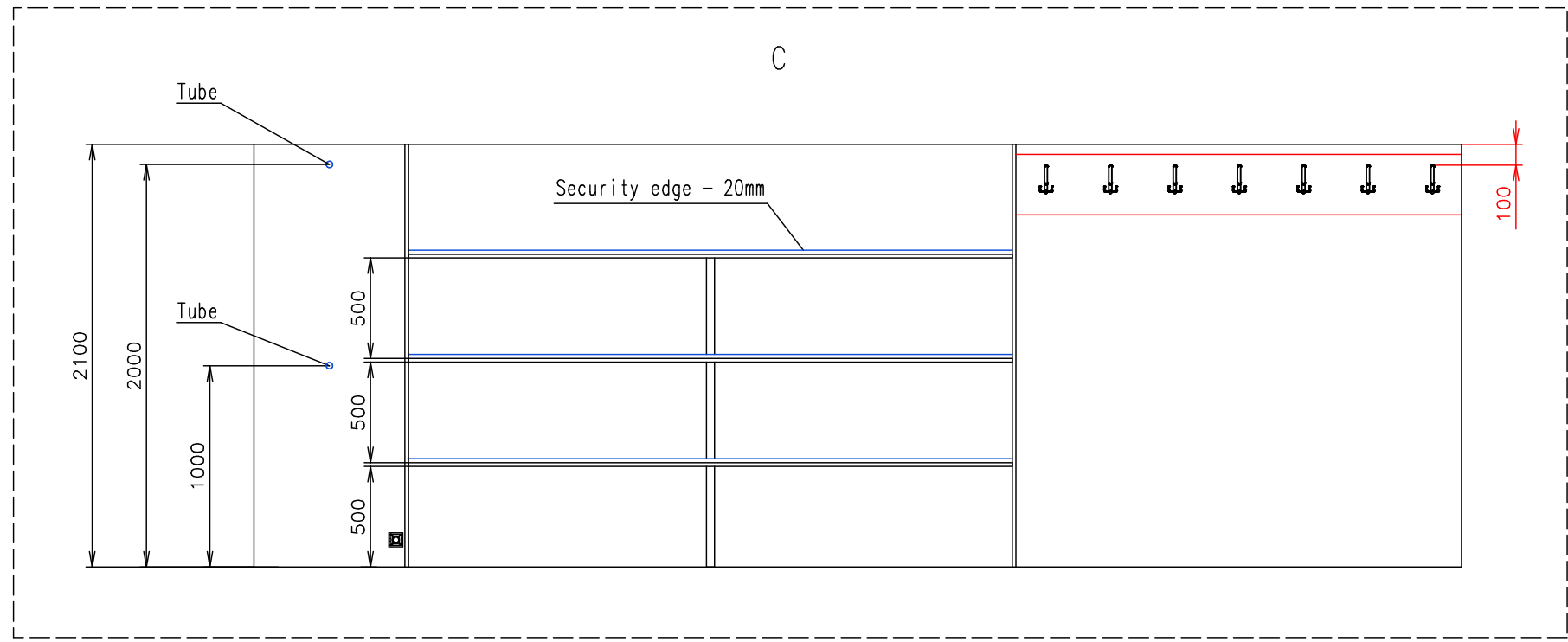
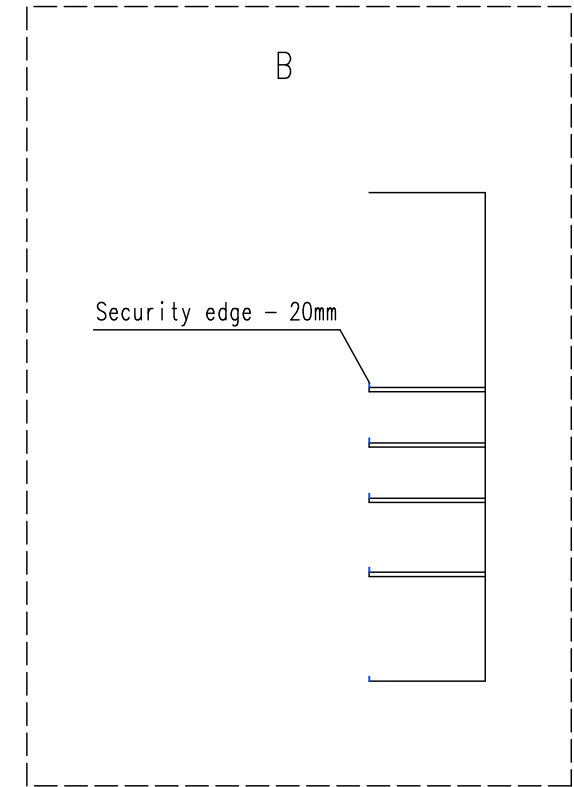
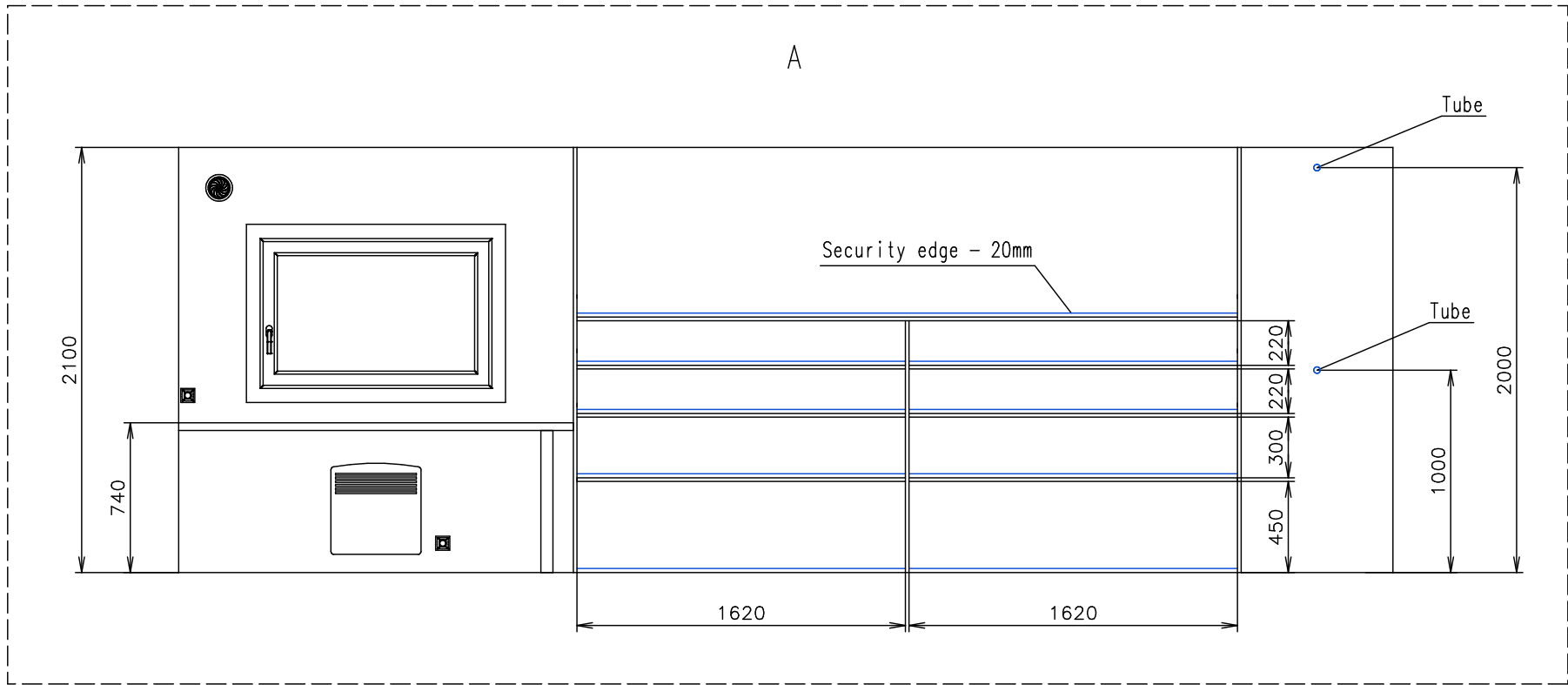
Interior height:	2100 mm	Total weight:	2000 kg
Color:	RAL 9010	Tare weight-estimate:	1400 kg
Floor:	PVC gray	Centre of wheels from rear side:	2990 mm
Date:	7.4.2017	Wheels:	155 R13

EUROWAGON

Drawing number:
2621-61-1_1/2

(Cabling and piping is not shown on the 3D views and drawings)

Connection hoses and cables	
Water hose:	✗
Waste water hose:	✗
Electric cable:	✓



Notes:

Interior height:	2100 mm	Total weight:	2000 kg
Color:	RAL 9010	Tare weight-estimate:	1400 kg
Floor:	PVC gray	Centre of wheels from rear side:	2990 mm
Date:	7.4.2017	Wheels:	155 R13

EUROWAGON	Drawing number:
	2621-61-1_2/2

(Cabling and piping is not shown on the 3D views and drawings)