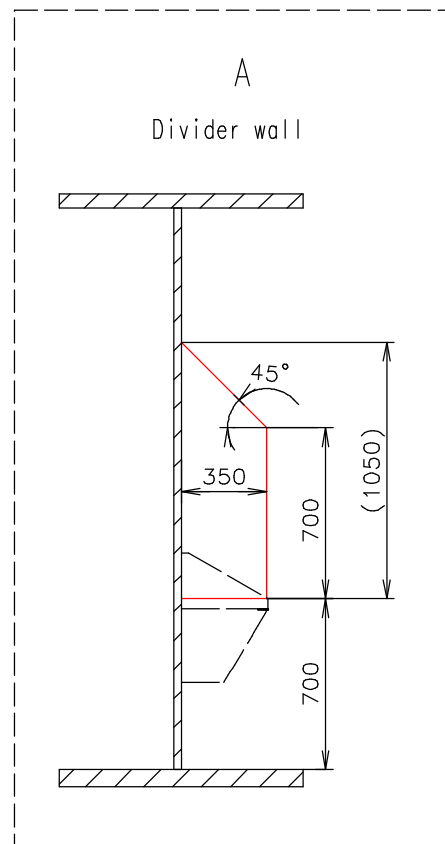
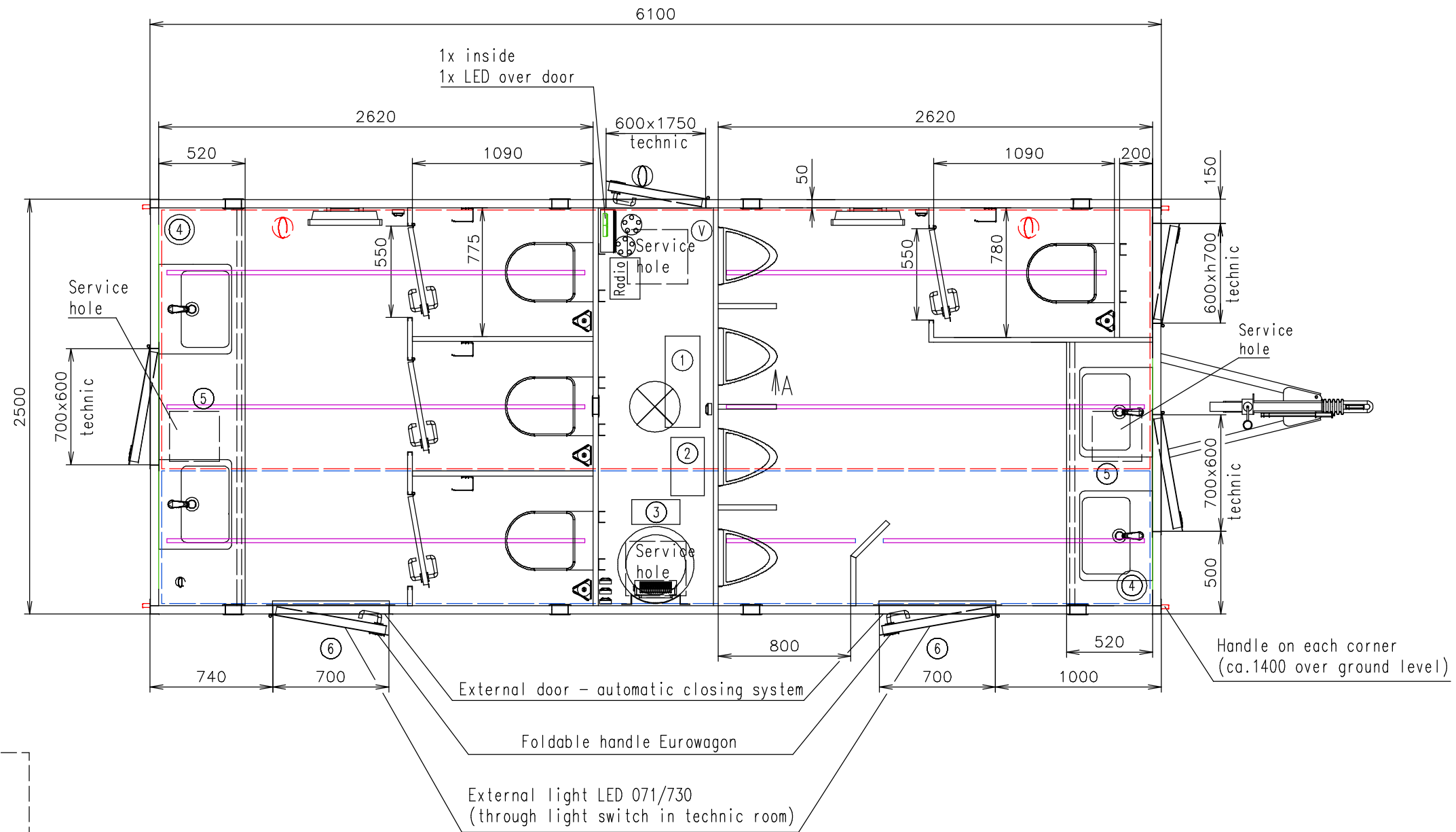


Connection hoses and cables	
Water hose:	✓
Waste water hose:	✗
Electric cable:	✓



- External doors - without cylinders
- Security system Jablotron
- Interior doors + divider walls in decor 0599 SG Orca
- External doors - without cylinders
- Spare wheel - free loaded

Notes: Working desks in waterproof compact desk Egger (dark color)

Interior height:	2100 mm	Total weight:	3500 kg
Color:	RAL 7042 (gray)	Tare weight-estimate:	2600 kg
Floor:	PVC Supreme Plus 030	Centre of wheels from rear side:	2990 mm
Date:	27.11.2019	Wheels:	195/50 R13C

EUROWAGON

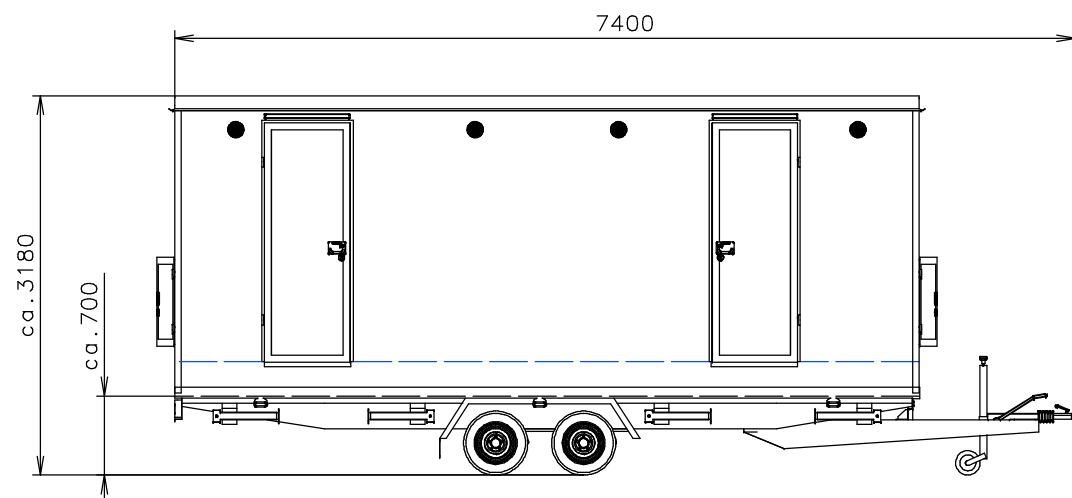
Drawing number: (3188-61)
3405-61-1_1/2 (Sprenger)

(Cabling and piping is not shown on the 3D views and drawings)

Connection hoses and cables	
Water hose:	✓
Waste water hose:	✗
Electric cable:	✓

- Ⓥ Water connection 3/4" (through the wall) + filter + reduction valve
- Ⓢ 2x Electric connection (through the wall) (230V-16A) (1x heating) (1x the rest)
- ⓈⓋ Effluent connection 2,5" (under floor from tank) or 1" (directly from Jets pump, through wall)
- Ⓧ Power point
- Light switch
- Ⓛ Switch board (1200 over floor)
- ⊗ Sensorlight
- LED stripe
- Ⓜ Heating (500W)
- Ⓜ Heating (750W)
- Ⓛ Wash-basin (over the desk) Keramag (550x440) + standard water tap
- Ⓛ Vacuum toilet Jets
- Ⓛ Urinal - Uridan (waterless)
- Ⓛ Waste-water tank (on the floor) (15960 x w1560 x h250 = 2000l) + special sensor - connected to Jablotron
- Ⓛ Water tank (on the floor) (15960 x w800 x h250 = 1000l) + special sensor - connected to Jablotron
- Ⓛ Hot water boiler (50 l)
- Ⓛ Ventilation ø120

- Ⓛ Brush toilet
- Ⓛ Toilet paper holder
- Mirror (2200x850 and 1400x850) + frame around
- ① Vacuumator Jets 15MB
- ② Gray water tank Jets 12l
- ③ Water pump Grundfos hydrojet JP5 (230V)
- ④ Speaker - in the roof
- ⑤ Rubish bin
- ⑥ VIP stairs (w700) + handrail



- External doors - without cylinders
- Security system Jablotron
- Interior doors + divider walls in decor 0599 SG Orca
- External doors - without cylinders
- Spare wheel - free loaded
- Working desks in waterproof compact desk Egger (dark color)

Notes:

Interior height:	2100 mm	Total weight:	3500 kg
Color:	RAL 7042 (gray)	Tare weight-estimate:	2600 kg
Floor:	PVC Supreme Plus 030	Centre of wheels from rear side:	2990 mm
Date:	27.11.2019	Wheels:	195/50 R13C

(Cabling and piping is not shown on the 3D views and drawings)

EUROWAGON

Drawing number: (3188-61)
3405-61-1_2/2 (Sprenger)