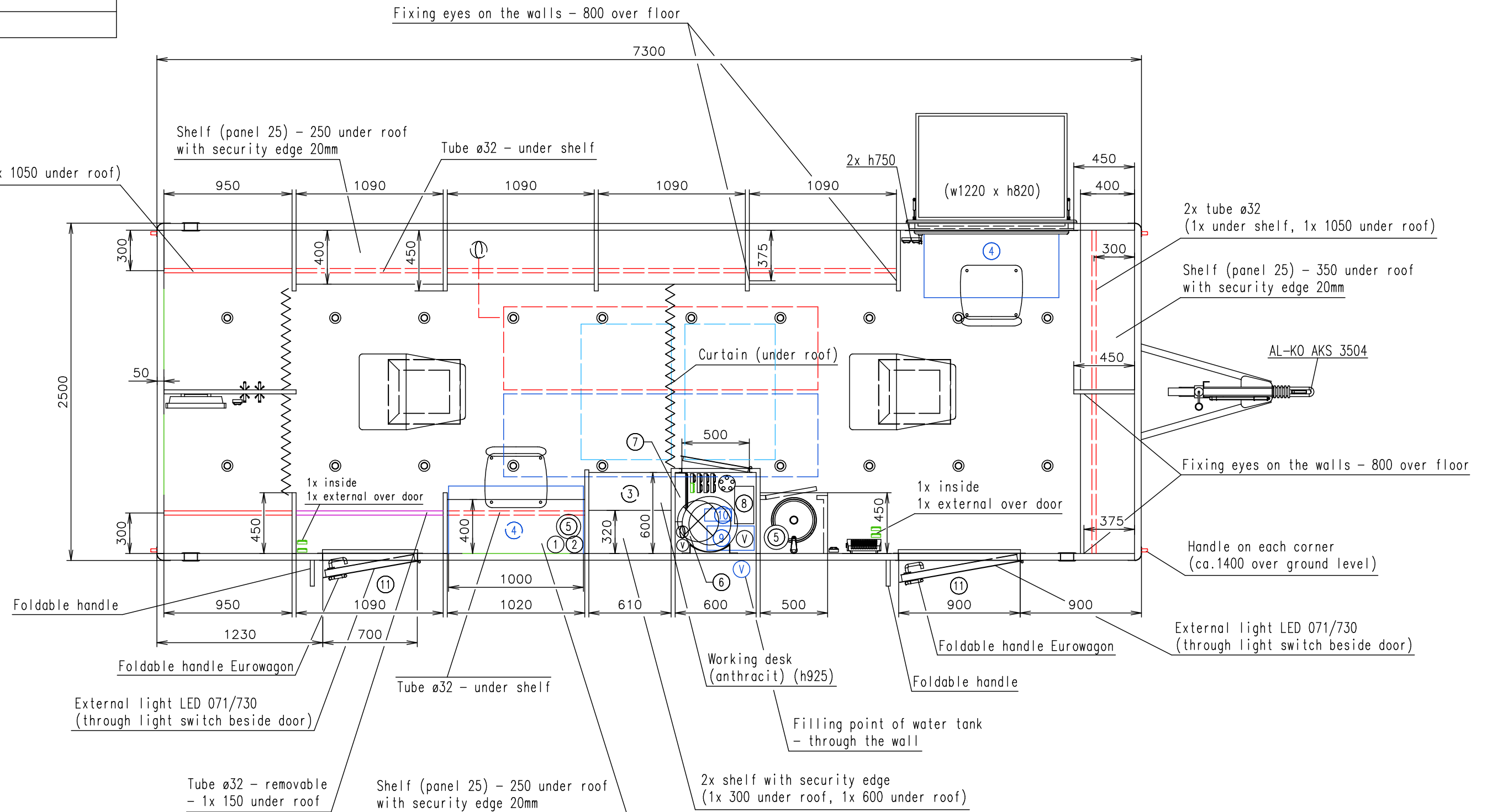


Connection hoses and cables	
Water hose:	✓
Waste water hose:	✗
Electric cable:	✓



External doors stop - stainless steel Same keys like 3079-89 (3331)

Battery only for spot lights and external LED lights over doors

Notes: L- profile 20x20 (4x 1080mm and 2x 1180mm) - free loaded

Interior height:	2100 mm	Total weight:	3500 kg
Color:	RAL 9010	Tare weight-estimate:	2300 kg
Floor:	PVC Jupiter 142702	Centre of wheels from rear side:	3590 mm
Date:	20.1.2020	Wheels:	185 R14C

EUROWAGON

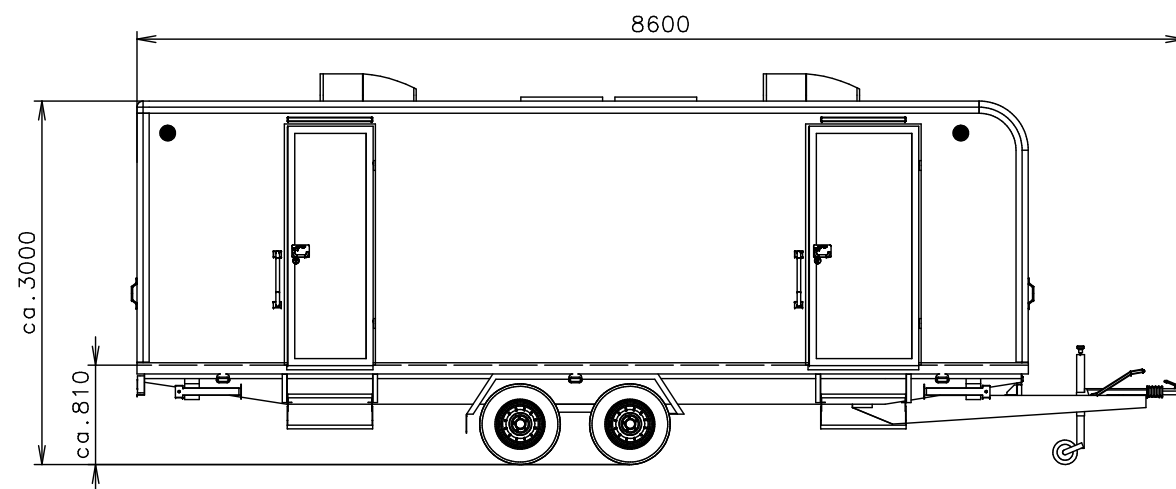
Drawing number:
3483-73-1_1/2

(Cabling and piping is not shown on the 3D views and drawings)

Connection hoses and cables	
Water hose:	✓
Waste water hose:	✗
Electric cable:	✓

- Ⓥ Water connection 3/4" (through the floor)
- Ⓢ Electric connection (through the floor) (400V-16A)
- Ⓣ Effluent connection 6/4"
- Ⓤ Power point
- Ⓥ Double power point
- Ⓦ Light switch
- Ⓧ Switch board (1200 over floor)
- Ⓨ Sensorlight
- Ⓩ Spot light (ice white)
- ⓐ Heating (500W)
- ⓑ Heating (750W)
- ⓓ Roof A/C+heating (Dometic Freshjet 1700) + external sheet metal cover
- Solar panel
- Ⓡ Sink ø335 (stainless steel) + standard water tap
- Ⓢ Hot water boiler (30 l)
- Ⓣ Waste-water tank (under floor) (isolation, heated) (12330 x w615 x h180 = 200l) + float sensor + indicator
- Ⓤ Water tank (under floor) (isolation, heated) (12330 x w615 x h180 = 200l) + float sensor + indicator
- Ⓧ Ventilation ø120
- Ⓨ Chair
- Ⓩ Curtain
- ⓐ Clothes hanger
- ⓑ Mirror (600 x 600) – in changing room
- ⓓ Mirror (800 x 800) (420 under roof)

- Ⓦ Window opening inside (870 over floor) + shutter + inside blind (white)
- ① Cable 230V (3x2,5mm) – over desk (extra ca.1m) (preparing for power points) – cable directly go to switch board
- ② Cable 230V (3x2,5mm) – over desk (extra ca.1m) (preparing for lights) – cable directly go to switch board
- ③ Washing machine with dryer (combination – one machine)
- ④ Foldable desk (anthracit) (1000 x 500) (h740)
- ⑤ Speaker – in the roof
- ⑥ Radio
- ⑦ Regulator EP Solar 20A
- ⑧ Water pump Grundfos hydrojet JP5 (230V)
- ⑨ Battery Banner Energy Bull 110Ah (12V)
- ⑩ Charger Multi XS 10A
- ⑪ Foldable stairs Oliver (w700)



(Cabling and piping is not shown on the 3D views and drawings)

External doors stop – stainless steel Same keys like 3079-89 (3331)

Battery only for spot lights and external LED lights over doors

Notes: L- profile 20x20 (4x 1080mm and 2x 1180mm) – free loaded

Interior height:	2100 mm	Total weight:	3500 kg
Color:	RAL 9010	Tare weight-estimate:	2300 kg
Floor:	PVC Jupiter 142702	Centre of wheels from rear side:	3590 mm
Date:	20.1.2020	Wheels:	185 R14C

EUROWAGON

Drawing number:
3483-73-1_2/2