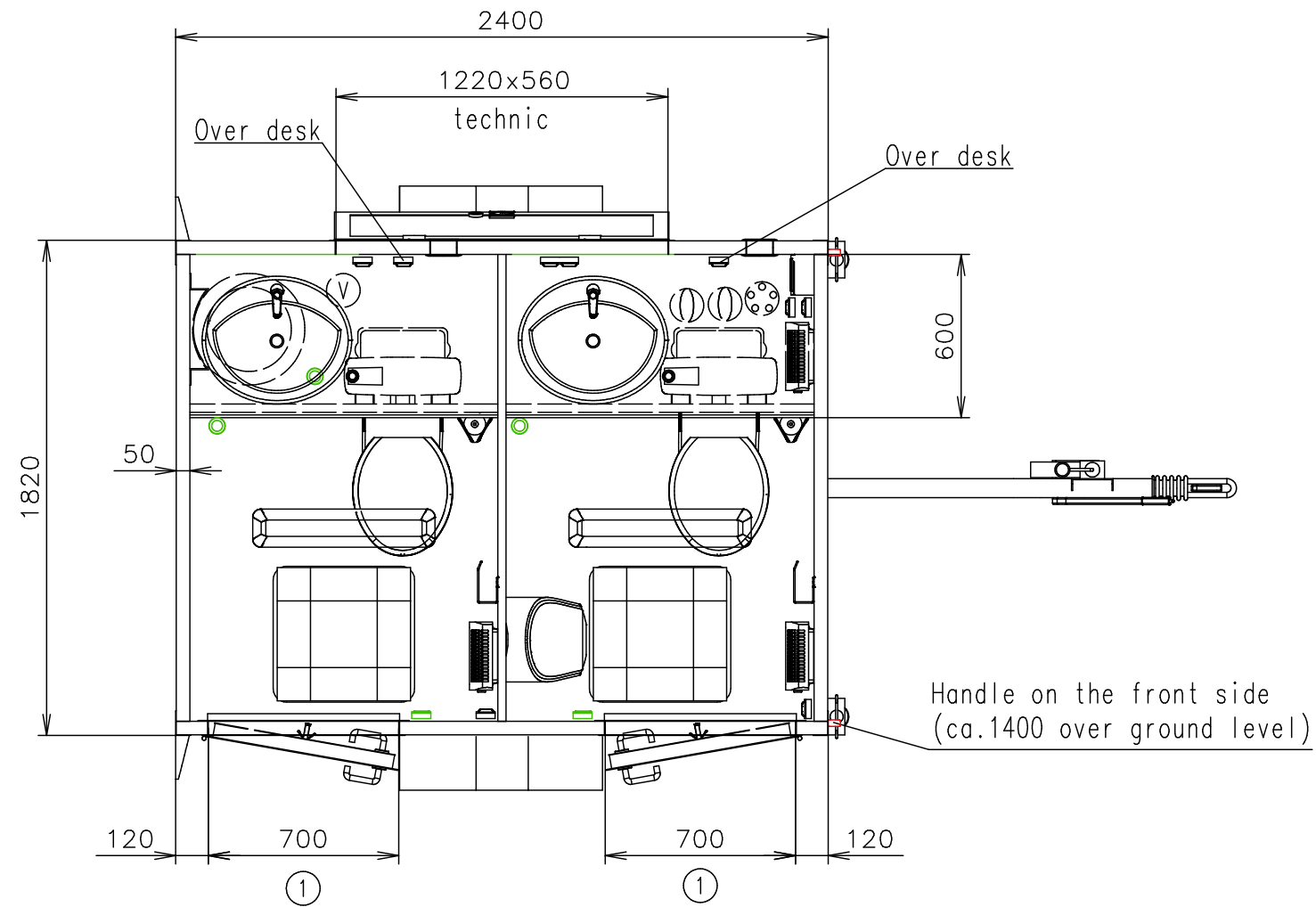


Connection hoses and cables	
Water hose:	✓
Waste water hose:	✓ 2x
Electric cable:	✓



Notes: Working desks in waterproof compact desk Egger (dark color)

Interior height:	2100 mm	Total weight:	750 kg
Color:	RAL 9010	Tare weight-estimate:	700 kg
Floor:	PVC black	Centre of wheels from rear side:	1200 mm
Date:	27.9.2016	Wheels:	165/70 R13

(Cabling and piping is not shown on the 3D views and drawings)

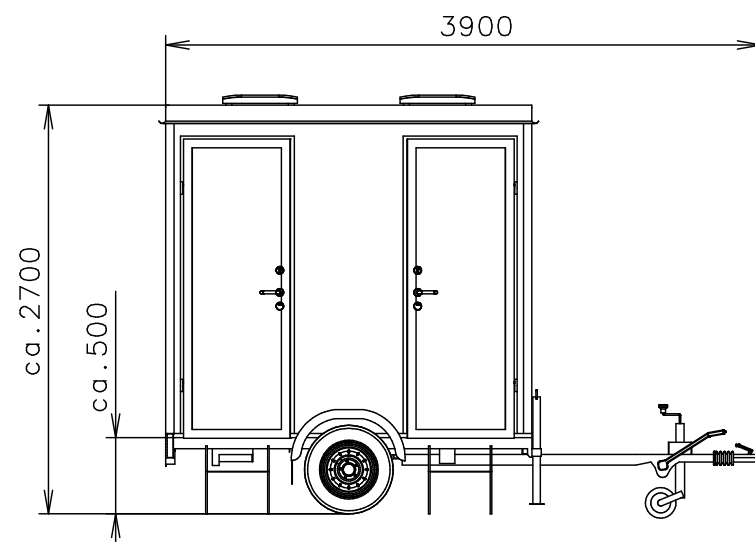
EUROWAGON

Drawing number:
2xVIPWC+U-24-1_1/2

Connection hoses and cables	
Water hose:	✓
Waste water hose:	✓ 2x
Electric cable:	✓

- Ⓥ Water connection 3/4" (through the floor)
- ⊙ Electric connection (through the floor) (230V-16A)
- ⓪ 2x Effluent connection 1"
- ⊞ Power point
- ⊞ Light switch
- ⊞ Switch board (500 over floor)
- ⊞ Droplight
- ⊞ Heating (500W)
- ⊙ Floor drain hole
- ⊙ Wash-basin (built-in) Multi 1690 (550x470) + timing push water tap

- ⊞ Urinal - Vitra Siko (water flush)
- ⊞ Hanging toilet + pump Setsan
- ⊞ Hot water boiler (30 l) + mixing water
- ⊞ Roof window Dometic (400x400)
- ⊞ Ventilation ø120
- ⊞ Brush toilet
- ⊞ Toilet paper holder
- ⊞ Clothes hanger
- ⊞ Mirror (600x600)
- ① Stairs Type 17



(Cabling and piping is not shown on the 3D views and drawings)

Notes: Working desks in waterproof compact desk Egger (dark color)

Interior height:	2100 mm	Total weight:	750 kg
Color:	RAL 9010	Tare weight-estimate:	700 kg
Floor:	PVC black	Centre of wheels from rear side:	1200 mm
Date:	27.9.2016	Wheels:	165/70 R13

EUROWAGON

Drawing number:

2xVIPWC+U-24-1_2/2