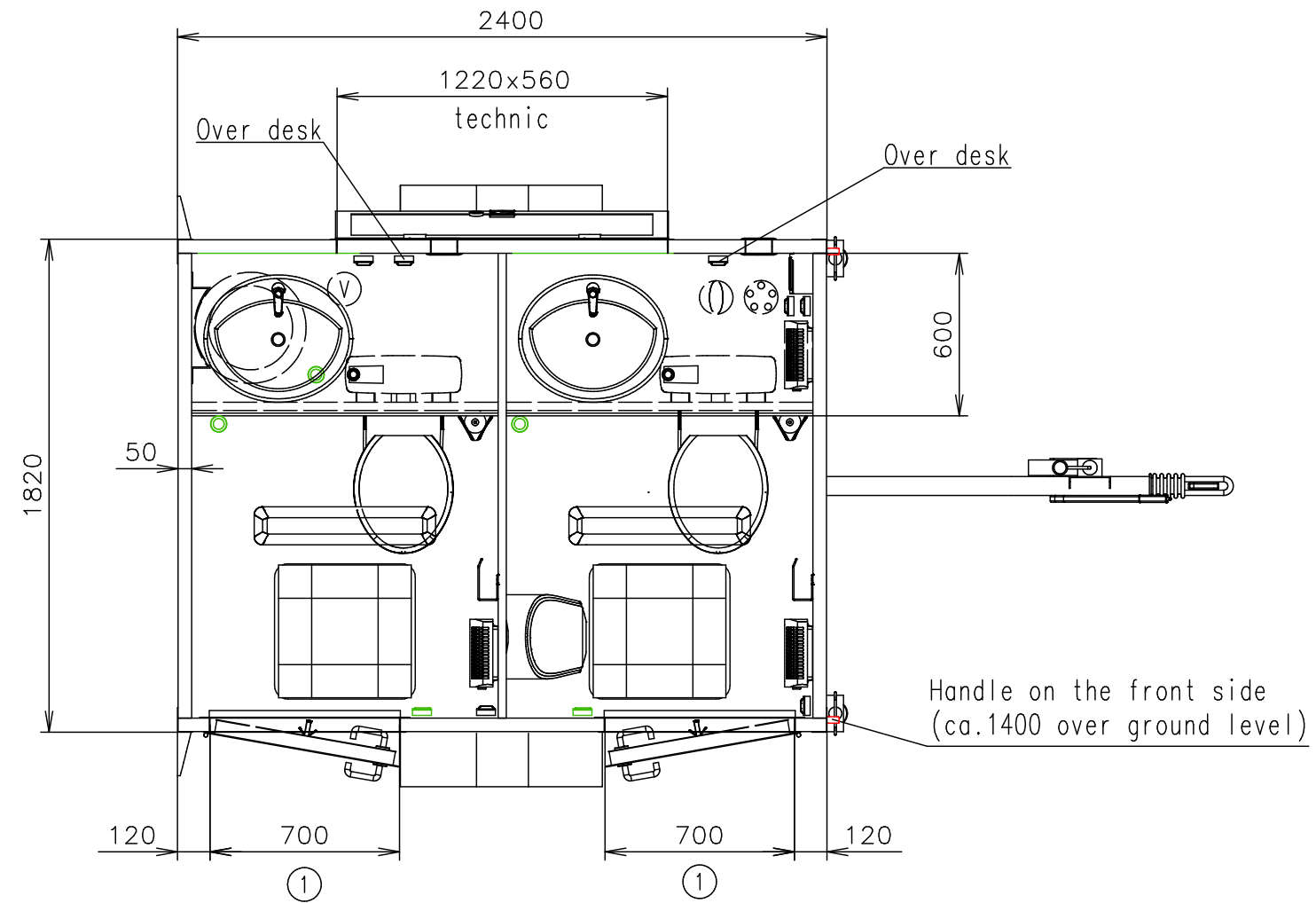


Connection hoses and cables	
Water hose:	✓
Waste water hose:	✗
Electric cable:	✓



Notes: Working desks in waterproof compact desk Egger (dark color)

Interior height:	2100 mm	Total weight:	750 kg
Color:	RAL 9010	Tare weight-estimate:	700 kg
Floor:	PVC black	Centre of wheels from rear side:	1200 mm
Date:	27.9.2016	Wheels:	165/70 R13

(Cabling and piping is not shown on the 3D views and drawings)

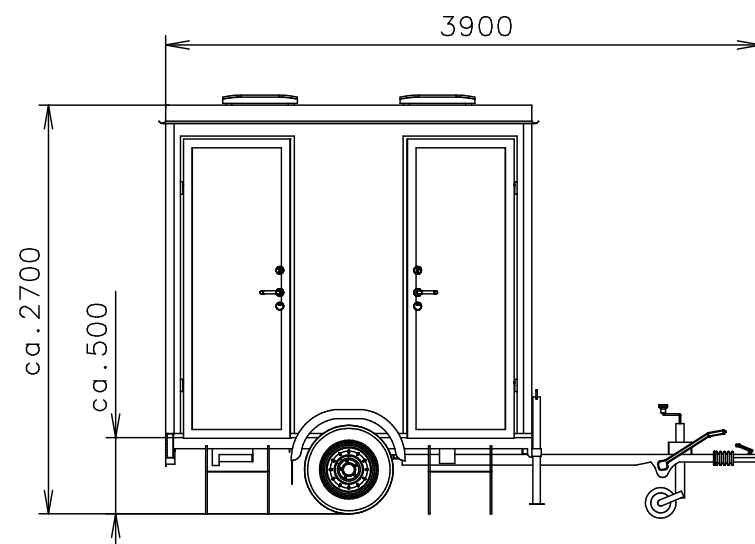
EUROWAGON

Drawing number:
2xVIPWCw110+U-24-1_1/2

Connection hoses and cables	
Water hose:	✓
Waste water hose:	✗
Electric cable:	✓

- Ⓥ Water connection 3/4" (through the floor)
- Ⓢ Electric connection (through the floor) (230V-16A)
- Ⓣ Effluent connection ø110 (through floor)
- Ⓜ Power point
- Ⓛ Light switch
- Ⓚ Switch board (500 over floor)
- Ⓛ Droplight
- Ⓜ Heating (500W)
- Ⓞ Floor drain hole
- Ⓢ Wash-basin (built-in) Multi 1690 (550x470) + timing push water tap

- Ⓢ Urinal - Vitra Siko (water flush)
- Ⓢ Hanging toilet
- Ⓢ Hot water boiler (30 l) + mixing water
- Ⓢ Roof window Dometic (400x400)
- Ⓢ Ventilation ø120
- Ⓢ Brush toilet
- Ⓢ Toilet paper holder
- Ⓢ Clothes hanger
- Ⓢ Mirror (600x600)
- Ⓢ Stairs Type 17



(Cabling and piping is not shown on the 3D views and drawings)

Notes: Working desks in waterproof compact desk Egger (dark color)

Interior height:	2100 mm	Total weight:	750 kg
Color:	RAL 9010	Tare weight-estimate:	700 kg
Floor:	PVC black	Centre of wheels from rear side:	1200 mm
Date:	27.9.2016	Wheels:	165/70 R13

EUROWAGON

Drawing number:
2xVIPWCw110+U-24-1_2/2