


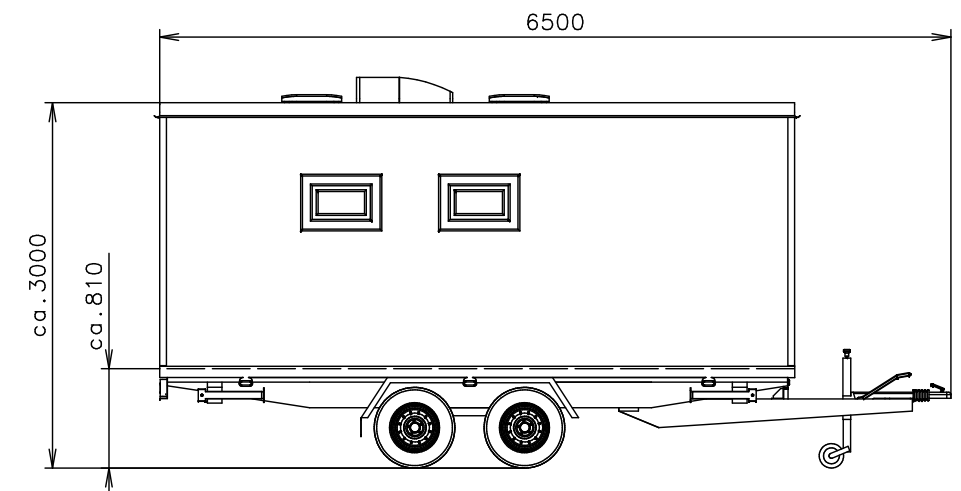
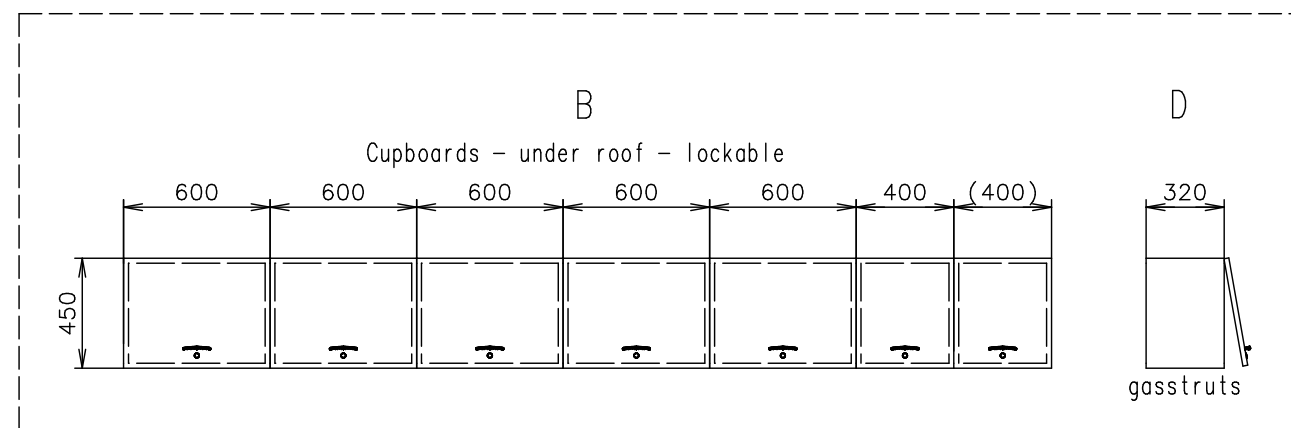
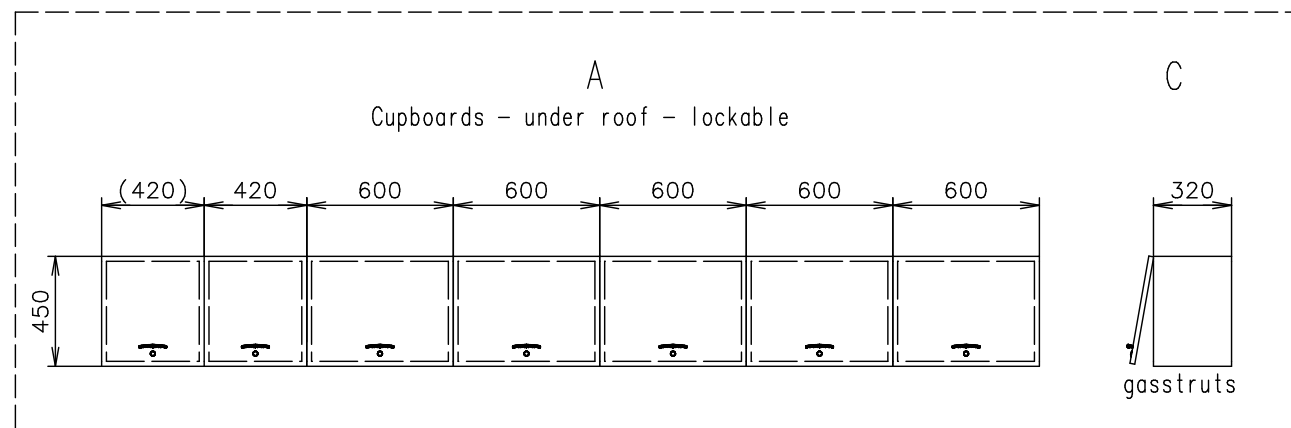


Connection hoses and cables	
Water hose:	✗
Waste water hose:	✗
Electric cable:	✓

-  Electric connection (on the chassis) (400V-16A)
-  External power point (on the chassis) (400V-16A)
-  Power point
-  Light switch
-  Switch board (under roof)
-  LED droplight
-  Heating (750W)
-  Roof A/C+heating (Dometic Freshjet 1700)
-  Window opening inside (1150 over floor)
+ insect screen + inside blinders (white)
-  Roof window Dometic (400x400)
-  Ventilation ø120
-  Clothes hanger
- ① Working desk - foldable (anthracit) (h740)
- ② Fridge
- ③ Standard free standing stairs
- ④ Cupboard under roof
- ⑤ Server rack 19" (w600 x h500mm) under roof



Same keys like 4755-42

Notes: Office chair - rotating, adjustable - 6pcs. - free loaded

Interior height:	2100 mm	Total weight:	3500 kg
Color:	RAL 9010	Tare weight-estimate:	1900 kg
Floor:	PVC gray	Centre of wheels from rear side:	2540 mm
Date:	14.5.2025	Wheels:	185 R14C

EUROWAGON

Drawing number:
4752-52-1_2/2 (Westbay)