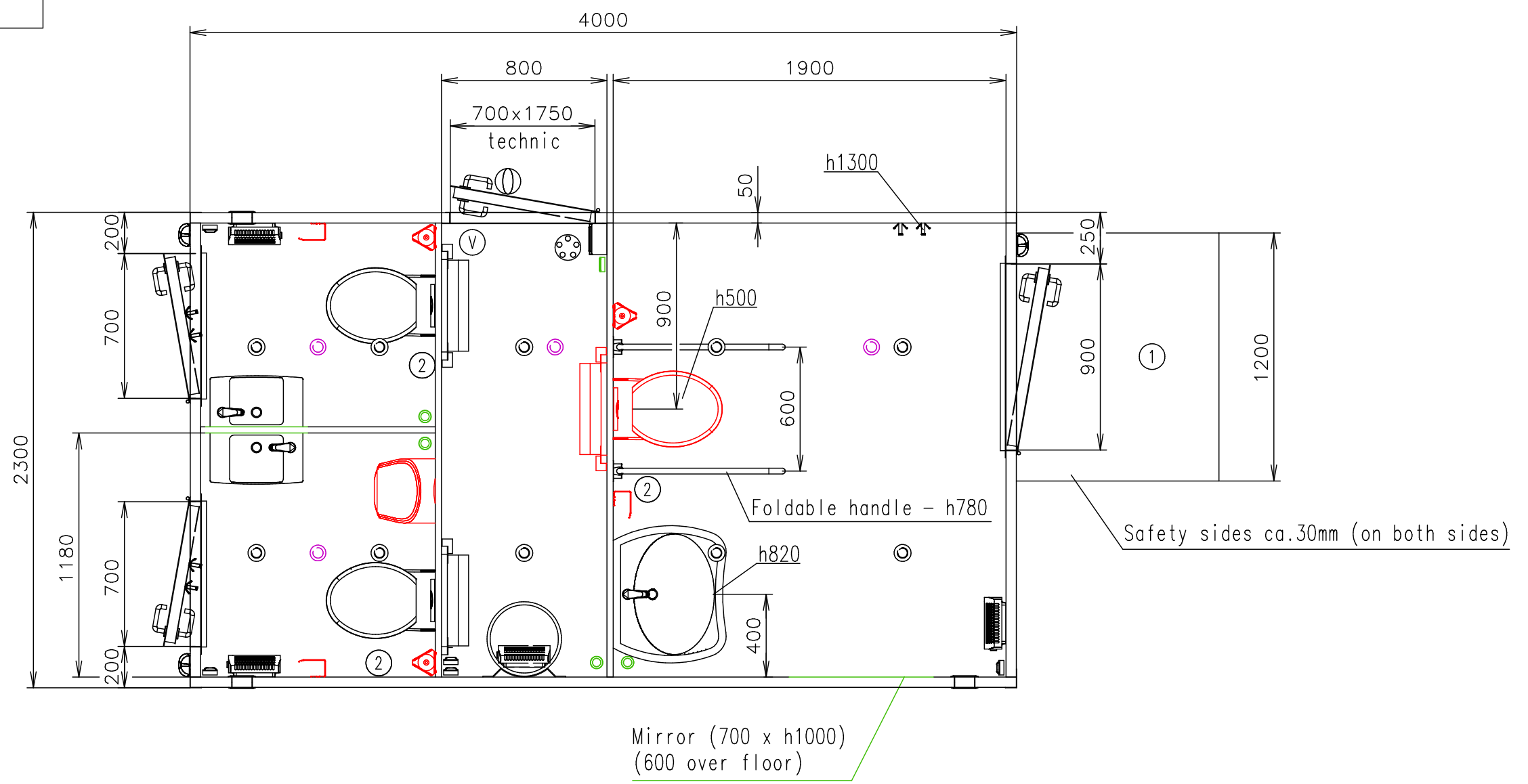


Connection hoses and cables	
Water hose:	✗
Waste water hose:	✗
Electric cable:	✓ Schuco



Rubish bin Newlcon Brabantia 3l (3 pcs.) - free loaded

Notes: Rubish bin - wire/grid (3 pcs.) - free loaded Internal folio?

Interior height:	2100 mm	Total weight:	-
Color:	RAL 7042 (gray)	Tare weight-estimate:	1000 kg
Floor:	PVC Supreme plus 110	Centre of wheels from rear side:	-
Date:	20.3.2025	Wheels:	-



Drawing number:  
4738-40-1 EWK\_1/2 (Koblenz-Rent)

(Cabling and piping is not shown on the 3D views and drawings)

Connection hoses and cables	
Water hose:	✗
Waste water hose:	✗
Electric cable:	✓ Schuco

- Ⓥ Water connection 3/4" (through the wall)
  - connection point Geka 3/4"
  - type Karasto (with red seal)
  - + filter + reduction valve
- Ⓢ Electric connection (through the wall) (230V-16A)
- Ⓛ Effluent connection ø110 (through wall)
- Ⓜ Power point
- Ⓛ Light switch
- Ⓜ Switch board (under roof)
- Ⓢ Sensor Merge (230V)
- Ⓢ LED spotlight (through sensor, delay 10 minutes)
- Ⓢ External LED sensor light
- Ⓜ Heating (500W)
- Ⓢ Floor drain hole
- Ⓢ Wash-basin Kolo (650x560)(68465) (for disabled) + water tap for disabled with long arm
- Ⓢ Wash-basin Kolo (450x250) + standard water tap



Hanging toilet



Hanging toilet (ceramics for disabled)



Urinal - Vitra Siko (water flush)
 

- push button (GUUZ1 220V/15A, type?) - flushing - push-ON/release-OFF
- electro-magnetic valve Hilitand or Jadeshay
- + possibility of turn off the flushing/valve function through a switch in the technical room



Hot water boiler Slim (30 l)



Ventilation ø120



Brush toilet Hansgrohe WallStoris (dim black, 27969670)



Toilet paper holder Hansgrohe WallStoris (dim black, 27969670)



Clothes hanger



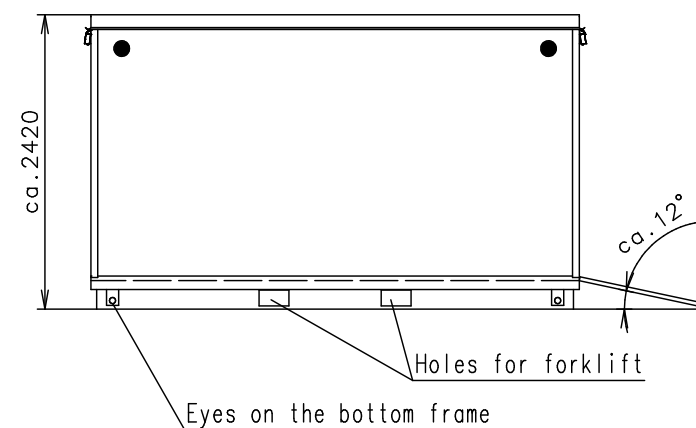
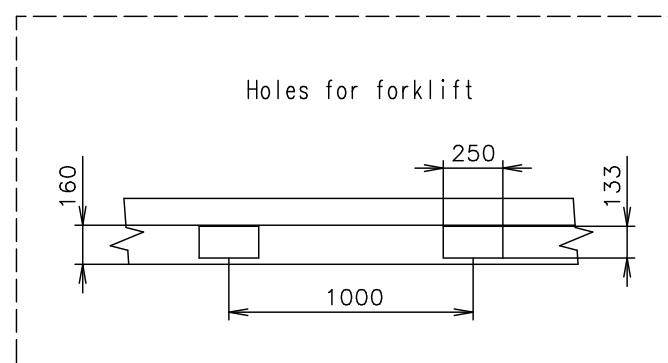
Mirror (500x500) and (700 x h1000) - black frame around



Ramp (w1200 x l1000)



Toilet paper holder Fregate 3 rolls  
- place 100mm from floor



(Cabling and piping is not shown on the 3D views and drawings)

Rubish bin Newlcon Brabantia 3l (3 pcs.) - free loaded

Notes: Rubish bin - wire/grid (3 pcs.) - free loaded Internal folio?

Interior height:	2100 mm	Total weight:	-
Color:	RAL 7042 (gray)	Tare weight-estimate:	1000 kg
Floor:	PVC Supreme plus 110	Centre of wheels from rear side:	-
Date:	20.3.2025	Wheels:	-

**EUROWAGON**

Drawing number:  
4738-40-1 EWK\_2/2 (Koblenz-Rent)